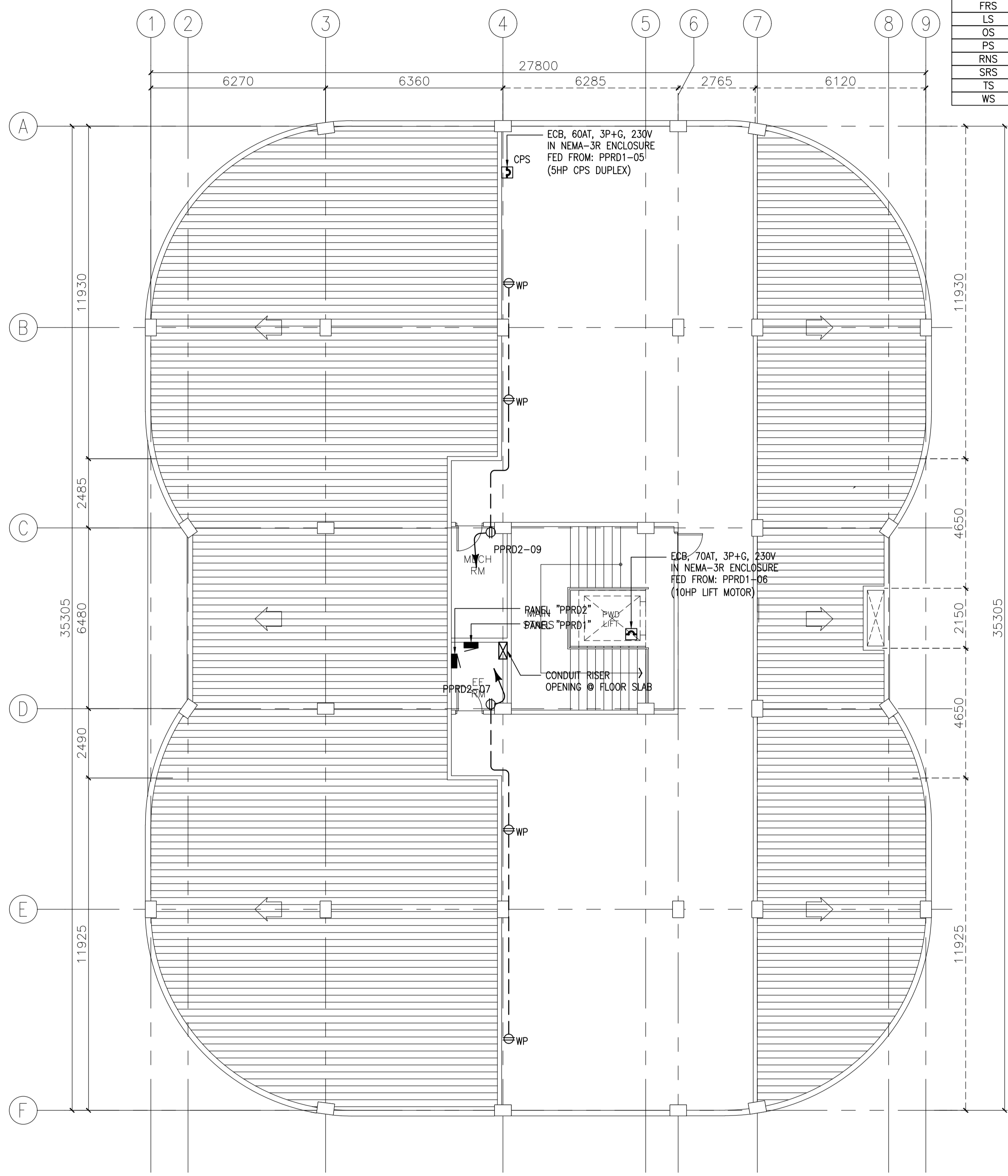
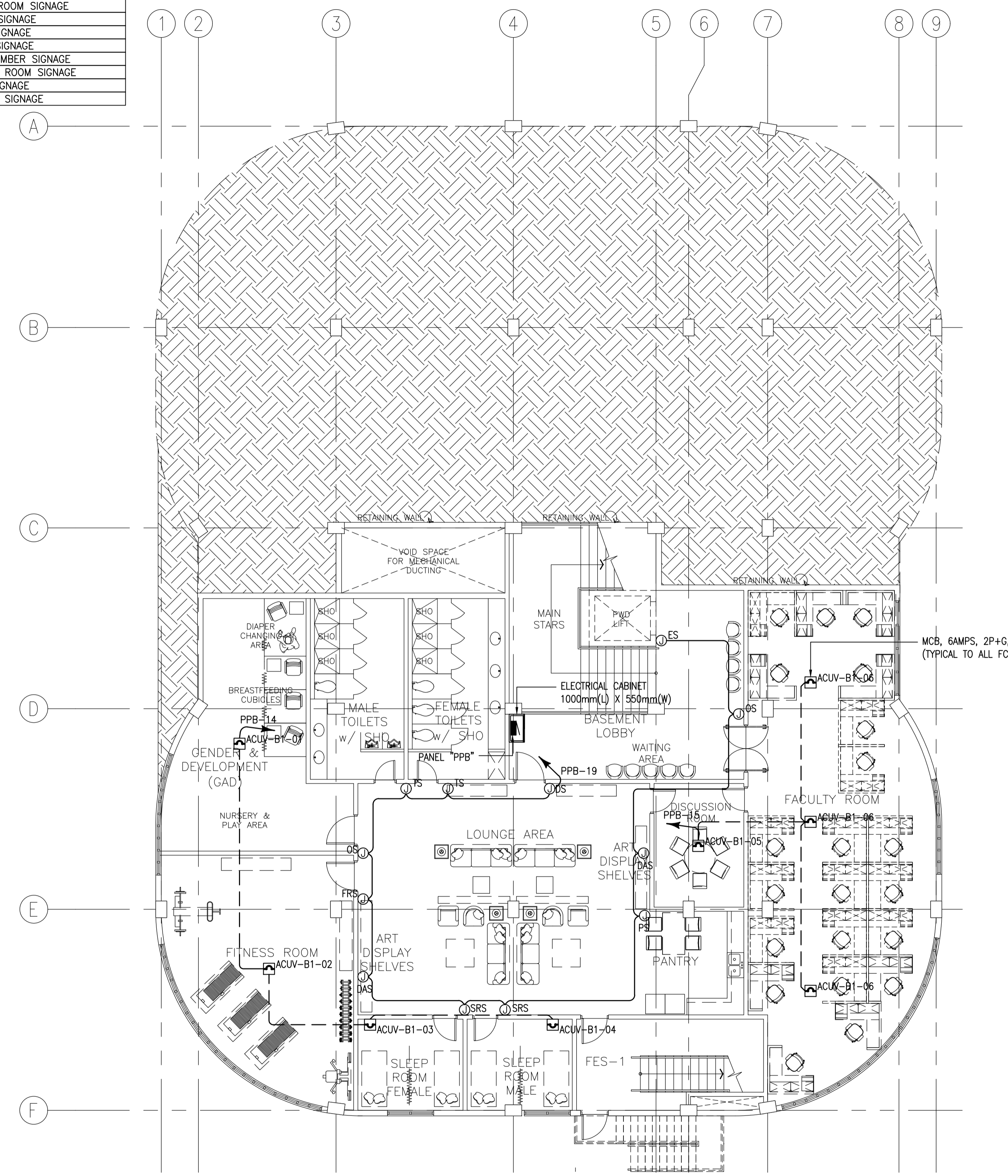


| LOCATIONAL/DIRECTIONAL SIGNAGES ABBREVIATION | |
|--|-------------------------|
| CRS | CONFERENCE ROOM SIGNAGE |
| DAS | DISPLAY AREA SIGNAGE |
| DS | DIRECTIONAL SIGNAGE |
| ES | ELEVATOR/LIFT SIGNAGE |
| FRS | FITNESS ROOM SIGNAGE |
| LS | LIBRARY SIGNAGE |
| OS | OFFICE SIGNAGE |
| PS | PANTRY SIGNAGE |
| RNS | ROOM NUMBER SIGNAGE |
| SRS | SLEEPING ROOM SIGNAGE |
| TS | TOILET SIGNAGE |
| WS | WELCOME SIGNAGE |



1 ACADEMIC BUILDING II
ROOF DECK POWER LAYOUT
 SCALE: 1:100MTRS
 E-09



2 ACADEMIC BUILDING II
BASEMENT MECHANICAL EQUIPMENT & SIGNAGES POWER LAYOUT
 SCALE: 1:100MTRS
 E-09

ENRIQUE O. OLONAN & ASSOCIATES
 ARCHITECTS ENGINEERS CONSULTANTS
 IN JOINT VENTURE WITH
ENRIQUE O. OLONAN & ASSOCIATES, CO.
 ARCHITECTS ENGINEERS CONSULTANTS

SUITE 305
 XAVIERVILLE SQUARE
 CONDOMINIUM
 NO. 38 XAVIERVILLE
 AVE. LAYUNGA HEIGHTS,
 QUEZON CITY, 1108
 TEL NOS: 426 7009;
 426 90044
 FAX NOS: 927 0608;
 426 7214

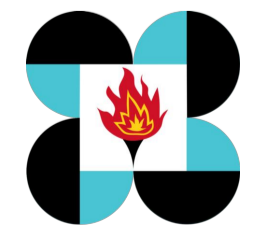
DESIGNER:
MANUEL V. PANIS
 PROFESSIONAL ELECTRICAL ENGINEER

PRC No. 1210 Validity: 10/13/2023
 PTR No. 7731829 Date: 01/04/2021
 Place: ANTIPOLLO CITY TIN: 132-466-222

REPUBLIC ACT 9266
 DRAWINGS AND SPECIFICATIONS AND OTHER CONTRACT DOCUMENTS DULY SIGNED, STAMPED OR SEALED, AS INSTRUMENTS OF SERVICE, ARE THE INTELLECTUAL PROPERTY AND DOCUMENT OF THE ARCHITECT. WHETHER THE OBJECT FOR WHICH THEY ARE MADE IS EXECUTED OR NOT, IT SHALL BE UNLAWFUL FOR ANY PERSON TO DUPLICATE OR TO MAKE COPIES OF SAID DOCUMENTS FOR USE IN THE REPRODUCTION OF AND FOR OTHER PROJECTS OR BUILDINGS, WHETHER EXECUTED PARTY OR IN WHOLE, WITHOUT THE WRITTEN CONSENT OF ARCHITECT OR AUTHOR OF SAID DOCUMENT.

PROJECT:
PROPOSED ACADEMIC BUILDING II / MULTI-PURPOSE GYMNASIUM

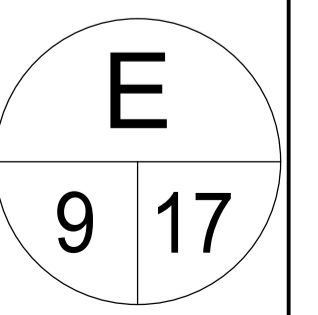
LOCATION: Brgy. Rizal, Odiangan, Romblon

DESIGNED FOR:

 REPUBLIC OF THE PHILIPPINES
 PHILIPPINE SCIENCE HIGH SCHOOL -
 MIMAROPA REGIONAL CAMPUS

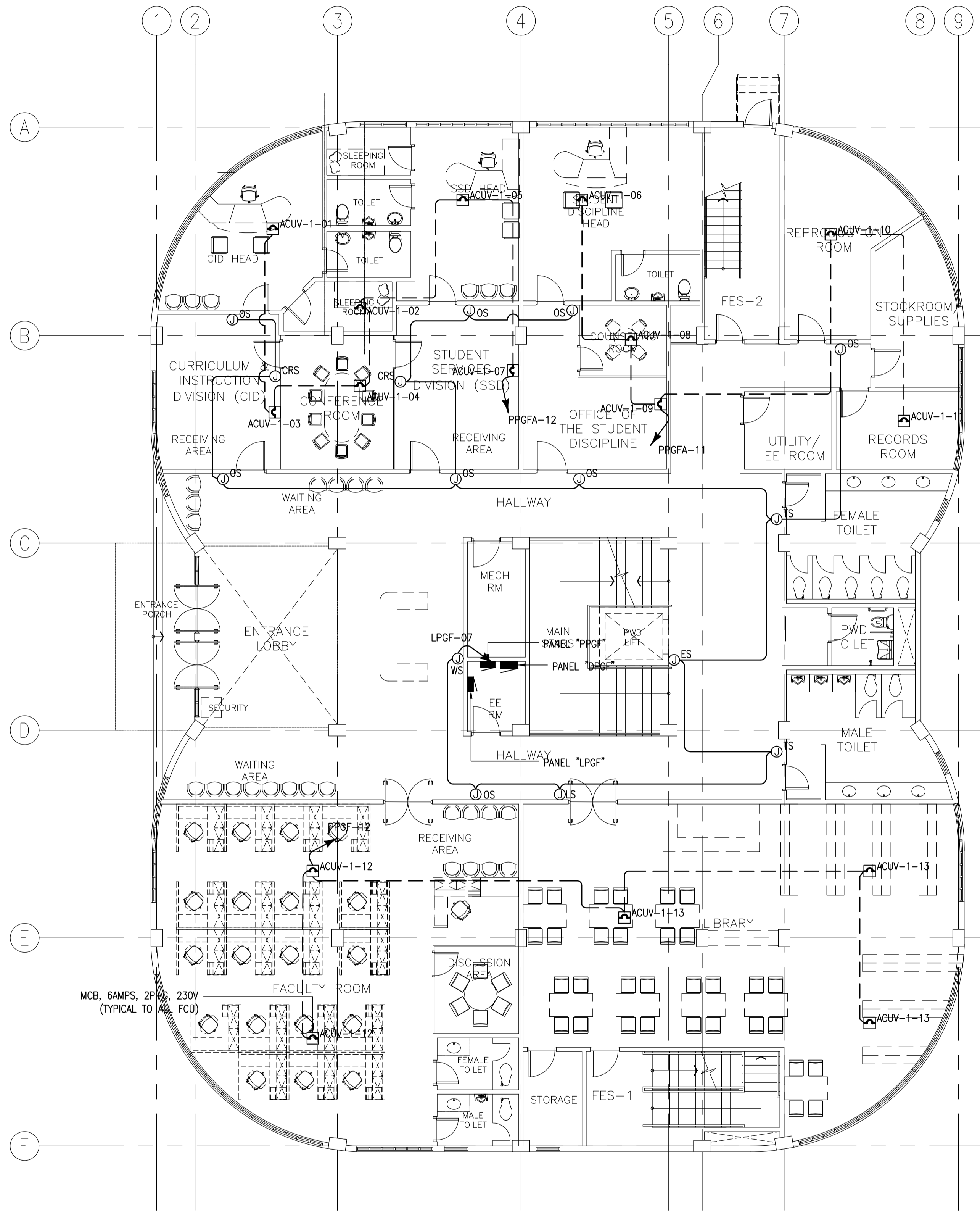
RECOMMENDING APPROVAL:
MERIAM F. FALLAR
 FAD CHIEF

APPROVED BY:
EDWARD C. ALBARACIN
 CAMPUS DIRECTOR

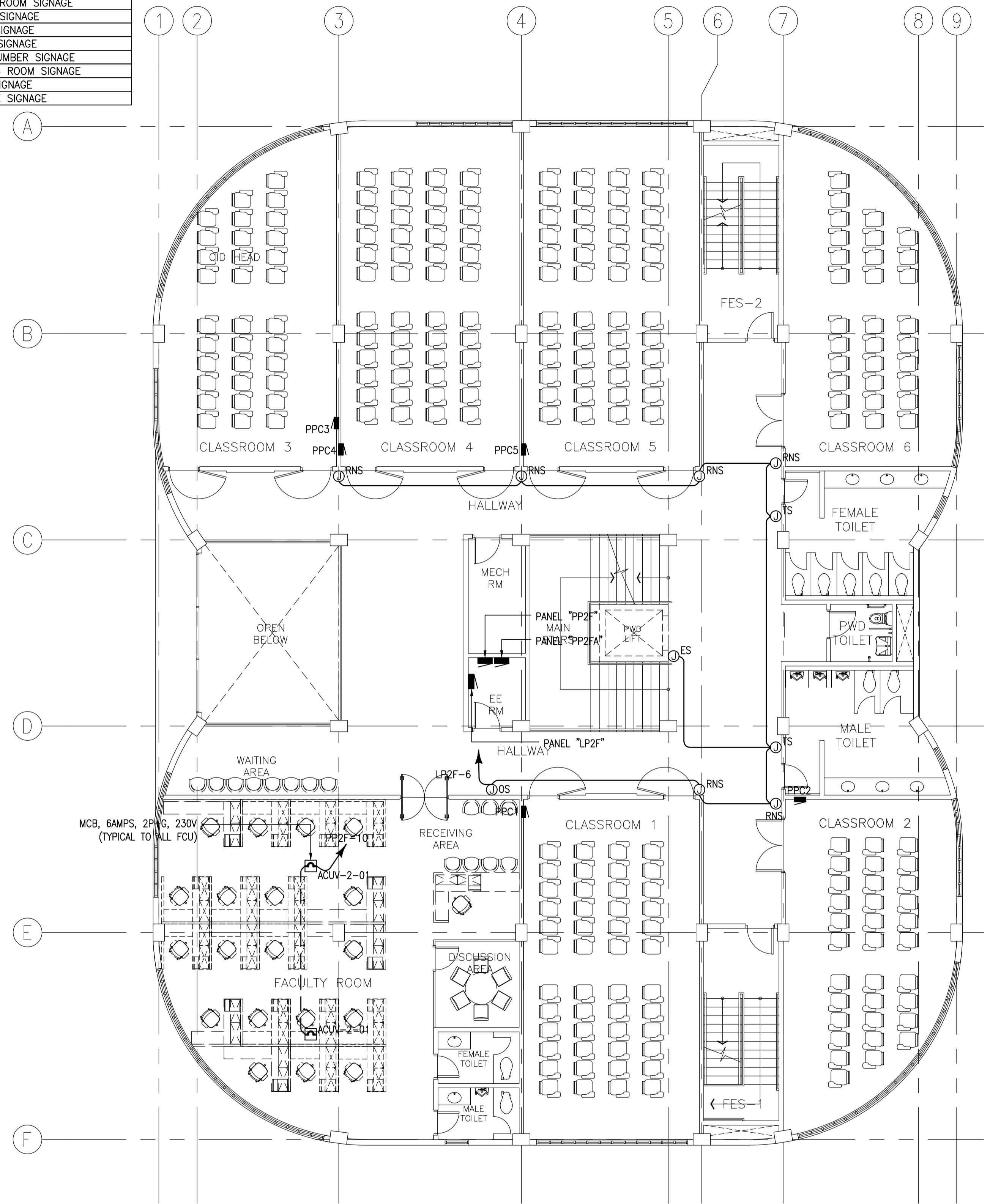
SHEET CONTENTS:
 ROOF DECK POWER LAYOUT
 BASEMENT MECHANICAL EQUIPMENT
 POWER LAYOUT

SHEET NO:


| LOCATIONAL/DIRECTIONAL SIGNAGES ABBREVIATION | |
|--|-------------------------|
| CRS | CONFERENCE ROOM SIGNAGE |
| DAS | DISPLAY AREA SIGNAGE |
| DS | DIRECTIONAL SIGNAGE |
| ES | ELEVATOR/LIFT SIGNAGE |
| FRS | FITNESS ROOM SIGNAGE |
| LS | LIBRARY SIGNAGE |
| OS | OFFICE SIGNAGE |
| PS | PANTRY SIGNAGE |
| RNS | ROOM NUMBER SIGNAGE |
| SRS | SLEEPING ROOM SIGNAGE |
| TS | TOILET SIGNAGE |
| WS | WELCOME SIGNAGE |



1 ACADEMIC BUILDING II
GROUND FLOOR MECHANICAL EQUIPMENT AND SIGNAGES POWER LAYOUT
 SCALE: E-10 1:100MTRS



2 ACADEMIC BUILDING II
SECOND FLOOR MECHANICAL EQUIPMENT AND SIGNAGES POWER LAYOUT
 SCALE: E-10 1:100MTRS

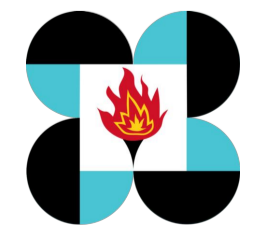
ENRIQUE O. OLONAN & ASSOCIATES
 ARCHITECTS ENGINEERS CONSULTANTS
 IN JOINT VENTURE WITH
ENRIQUE O. OLONAN & ASSOCIATES, CO.
 ARCHITECTS ENGINEERS CONSULTANTS

SUITE 305
 XAVIERVILLE SQUARE
 CONDOMINIUM
 NO. 38 XAVIERVILLE
 AVENUE, LAYOG, HEHINGTON,
 QUEZON CITY, 1108
 TEL NOS: 426 7009;
 426 30048
 FAX NOS: 927 0608;
 426 7214

DESIGNER:
MANUEL V. PANIS
 PROFESSIONAL ELECTRICAL ENGINEER
 PRC No. 1210 Validity: 10/13/2023
 PTR No. 7731829 Date: 01/04/2021
 Place: ANTIPOLO CITY TIN: 132-466-222

REPUBLIC ACT 9266
 DRAWINGS AND SPECIFICATIONS AND OTHER CONTRACT DOCUMENTS DULY SIGNED, STAMPED OR SEALED, AS INSTRUMENTS OF SERVICE, ARE THE INTELLECTUAL PROPERTY AND DOCUMENT OF THE ARCHITECT. WHETHER THE OBJECT FOR WHICH THEY ARE MADE IS EXECUTED OR NOT, IT SHALL BE UNLAWFUL FOR ANY PERSON TO DUPLICATE OR TO MAKE COPIES OF SAID DOCUMENTS FOR USE IN THE REPRODUCTION OF AND FOR OTHER PROJECTS OR BUILDINGS, WHETHER EXECUTED PARTY OR IN WHOLE, WITHOUT THE WRITTEN CONSENT OF ARCHITECT OR AUTHOR OF SAID DOCUMENT.

PROJECT:
**PROPOSED
 ACADEMIC BUILDING II /
 MULTI-PURPOSE GYMNASIUM**
 LOCATION: Brgy. Rizal, Odiangan, Romblon

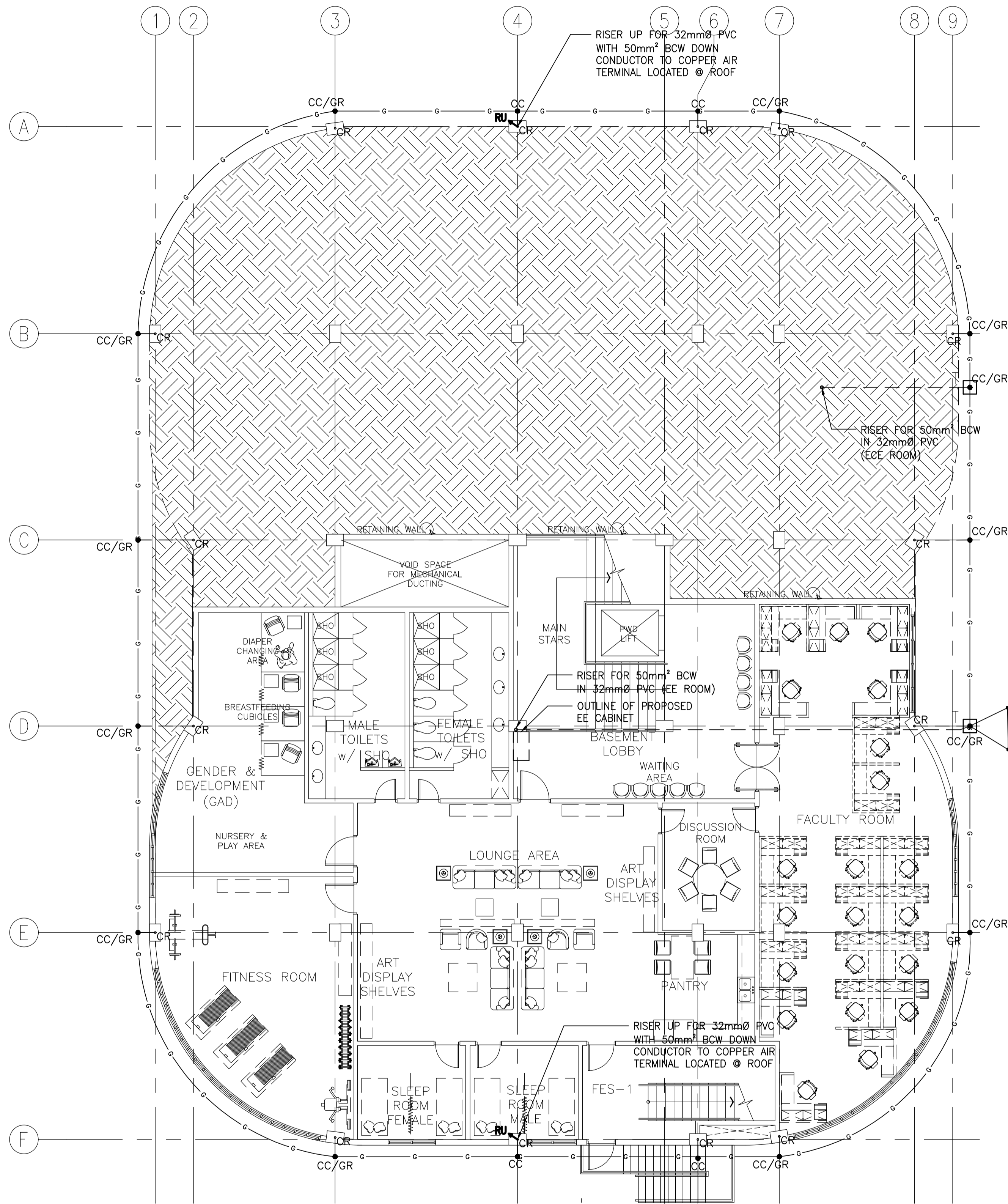
DESIGNED FOR:

 REPUBLIC OF THE PHILIPPINES
 PHILIPPINE SCIENCE HIGH SCHOOL -
 MIMAROPA REGIONAL CAMPUS

RECOMMENDING APPROVAL:
MERIAM F. FALLAR
 FAD CHIEF

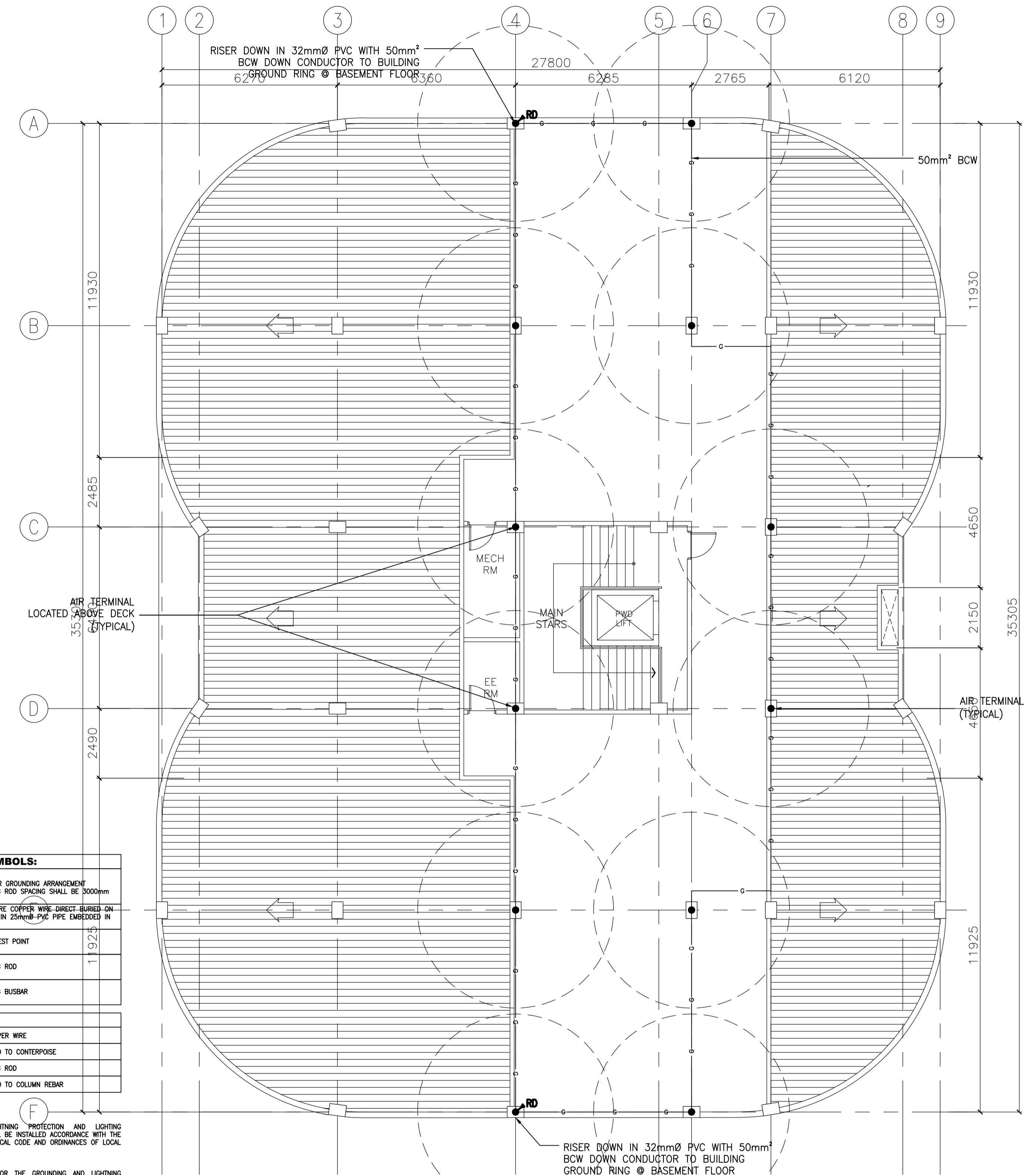
APPROVED BY:
EDWARD C. ALBARACIN
 CAMPUS DIRECTOR

SHEET CONTENTS:
 GROUND FLOOR MECHANICAL EQUIPMENT
 POWER LAYOUT
 SECOND FLOOR MECHANICAL EQUIPMENT
 POWER LAYOUT

SHEET NO:
E
10 17



1 ACADEMIC BUILDING II
 BASEMENT GROUNDING SYSTEM LAYOUT
 SCALE: 1:100MTRS



2 ACADEMIC BUILDING II
 ROOF DECK LIGHTNING PROTECTION LAYOUT
 SCALE: 1:100MTRS

LEGEND AND SYMBOLS:

| | |
|--|---|
| | TRIANGULAR GROUNDING ARRANGEMENT GROUNDING ROD SPACING SHALL BE 3000mm |
| | 50mm² BARE COPPER WIRE DIRECT BURIED ON EARTH OR IN 25mmØ PVC PIPE EMBEDDED IN CONCRETE |
| | GROUND TEST POINT |
| | GROUNDING ROD |
| | GROUNDING BUSBAR |

ABBREVIATION:

| | |
|-----|---------------------------|
| BCW | BARE COPPER WIRE |
| CC | CONNECTED TO CENTERPOISE |
| GR | GROUNDING ROD |
| CR | CONNECTED TO COLUMN REBAR |

NOTES:

- GROUNDING AND LIGHTNING PROTECTION AND LIGHTING PROTECTION SYSTEM SHALL BE INSTALLED ACCORDANCE WITH THE LATEST PHILIPPINE ELECTRICAL CODE AND ORDINANCES OF LOCAL ENFORCING AUTHORITIES.
- OVER-ALL IMPEDANCE FOR THE GROUNDING AND LIGHTNING PROTECTION NETWORK SHALL BE LESS THAN 1 OHM.
- MINIMUM COPPER GROUND BAR SIZE SHALL BE 300mm(L) x 100mm(H) x 7mm(T) AND SHALL BE COMPLETE WITH WALL MOUNTED INSULATOR SPACER.
- ALL ELECTRICAL EQUIPMENT/ DEVICES SUCH AS TRANSFORMERS, GENSETS, SWITCHGERS, ETC. WITH PROTRUDING METAL SHALL BE EFFECTIVELY BONDED TO THE GROUND.
- DOWN CONDUCTOR FOR LIGHTNING ARRESTER SHALL BE CONTINUOUS. USE EXOTHERMIC WELD FOR ALL WIRE CONNECTIONS.

ENRIQUE O. OLONAN & ASSOCIATES
 ARCHITECTS ENGINEERS CONSULTANTS
 IN JOINT VENTURE WITH
ENRIQUE O. OLONAN & ASSOCIATES, CO.
 ARCHITECTS ENGINEERS CONSULTANTS

SUITE 305
 XAVIERVILLE SQUARE
 CONDOMINIUM
 NO. 38 XAVIERVILLE
 AVENUE, LORON HIGHTS,
 QUEZON CITY, 1108
 TEL NOS: 426 7009;
 426 9044
 FAX NOS: 927 0698;
 426 7214

DESIGNER:
MANUEL V. PANIS
 PROFESSIONAL ELECTRICAL ENGINEER
 PRC No. 1210 Validity: 10/13/2023
 PTR No. 7731829 Date: 01/04/2021
 Place: ANTIPOLO CITY TIN: 132-466-222

REPUBLIC ACT 9266
 DRAWINGS AND SPECIFICATIONS AND OTHER CONTRACT DOCUMENTS DULY SIGNED, STAMPED OR SEALED, AS INSTRUMENTS OF SERVICE, ARE THE INTELLECTUAL PROPERTY AND DOCUMENT OF THE ARCHITECT. WHETHER THE OBJECT FOR WHICH THEY ARE MADE IS EXECUTED OR NOT, IT SHALL BE UNLAWFUL FOR ANY PERSON TO DUPLICATE OR TO MAKE COPIES OF SAID DOCUMENTS FOR USE IN THE REPRODUCTION OF AND FOR OTHER PROJECTS OR BUILDINGS, WHETHER EXECUTED PARTY OR IN WHOLE, WITHOUT THE WRITTEN CONSENT OF ARCHITECT OR AUTHOR OF SAID DOCUMENT.

PROJECT:
**PROPOSED
 ACADEMIC BUILDING II /
 MULTI-PURPOSE GYMNASIUM**
 LOCATION: Brgy. Rizal, Odiangan, Romblon

DESIGNED FOR:

 REPUBLIC OF THE PHILIPPINES
 PHILIPPINE SCIENCE HIGH SCHOOL -
 MIMAROPA REGIONAL CAMPUS

RECOMMENDING APPROVAL:
MERIAM F. FALLAR
 FAD CHIEF

APPROVED BY:
EDWARD C. ALBARACIN
 CAMPUS DIRECTOR

SHEET CONTENTS:
 BASEMENT GROUNDING SYSTEM LAYOUT
 ROOF DECK LIGHTNING PROTECTION LAYOUT

SHEET NO:
E
 12 17

| PANEL NAME: DPGF FED FROM: MDP SYSTEM: 230Vac, 3Ø, 3w, 60Hz | | | | LOCATION: EE ROOM -GF MOUNTING: WALL MOUNTED ENCLOSURE: NEMA-1 | | | | | | | | | | | | | | | |
|---|-------------|------------|------|--|--|-------|--------|-----------------|--------|------|------|------------|-----------------|-------------|------------------------|------------|------|-----|--|
| CKT NO. | DESCRIPTION | CONN. LOAD | VOLT | AMPERE LOAD | | | | CIRCUIT BREAKER | | | | CABLE SIZE | | CONDUIT | | REMARKS | | | |
| | | | | 3Ø | ØAB | ØCA | ØBC | AT | AF | POLE | KAIC | TYPE | PHASE & NEUTRAL | GROUND | SIZE | | TYPE | | |
| 1 | PPRD1 | 86,488 | 230 | 217.11 | 0.00 | 0.00 | 0.00 | 225 | 250 | 3 | 22 | MCCB | 3-125mm2 THWN | 1-22mm2 TW | 65 | IMC | | | |
| 2 | SPARE | | | | | | | 225 | 250 | 3 | 22 | MCCB | | | | | | | |
| 3 | PPRD2 | 22,302 | 230 | 50.21 | 3.84 | 3.83 | 2.35 | 70 | 100 | 3 | 22 | MCCB | 3-22mm2 THWN | 1-8.0mm2 TW | 32 | IMC | | | |
| 4 | PP3FA | 7,392 | 230 | 0.00 | 10.71 | 10.71 | 10.71 | 50 | 100 | 3 | 22 | MCCB | 3-14mm2 THWN | 1-5.5mm2 TW | 32 | IMC | | | |
| 5 | PP3F | 8,446 | 230 | 0.00 | 11.22 | 14.29 | 11.22 | 50 | 100 | 3 | 22 | MCCB | 3-14mm2 THWN | 1-5.5mm2 TW | 32 | IMC | | | |
| 6 | PP2FA | 7,392 | 230 | 0.00 | 10.71 | 10.71 | 10.71 | 50 | 100 | 3 | 22 | MCCB | 3-14mm2 THWN | 1-5.5mm2 TW | 32 | IMC | | | |
| 7 | PP2F | 13,253 | 230 | 0.00 | 18.78 | 19.27 | 19.57 | 50 | 100 | 3 | 22 | MCCB | 3-14mm2 THWN | 1-8.0mm2 TW | 32 | IMC | | | |
| 8 | PPGFA | 12,312 | 230 | 0.00 | 18.00 | 17.48 | 18.05 | 50 | 100 | 3 | 22 | MCCB | 3-14mm2 THWN | 1-8.0mm2 TW | 32 | IMC | | | |
| 9 | PPGF | 14,582 | 230 | 0.00 | 20.35 | 24.00 | 19.05 | 50 | 100 | 3 | 22 | MCCB | 3-14mm2 THWN | 1-8.0mm2 TW | 32 | IMC | | | |
| 10 | PPB | 17,960 | 230 | 0.00 | 27.68 | 25.83 | 24.57 | 70 | 100 | 3 | 22 | MCCB | 3-14mm2 THWN | 1-5.5mm2 TW | 32 | IMC | | | |
| 11 | LPGF | 3,385 | 230 | 0.00 | 6.01 | 7.52 | 5.57 | 40 | 100 | 3 | 22 | MCCB | 3-8.0mm2 THWN | 1-5.5mm2 TW | 25 | IMC | | | |
| 12 | LP2F | 2,754 | 230 | 0.00 | 5.78 | 4.49 | 1.71 | 40 | 100 | 3 | 22 | MCCB | 3-8.0mm2 THWN | 1-5.5mm2 TW | 25 | IMC | | | |
| 13 | SPARE | | | | | | | 60 | 100 | 3 | 18 | MCCB | | | | | | | |
| 14 | SPARE | | | | | | | 40 | 100 | 3 | 18 | MCCB | | | | | | | |
| TOTAL | | | | 196,266 | 230 | 267 | 133.08 | 138.13 | 123.51 | 300 | 400 | 3 | 22 | MCCB | 2 SETS OF 3-60mm2 THWN | 1-14mm2 TW | 2x50 | IMC | |
| DEMAND FACTOR | | | | 0.60 | MAIN CB: 300 AT 400 AF 3 POLE | | | | 230 V | | | | | | | | | | |
| DEMAND LOAD | | | | 117,760 | MAIN FEEDER: PHASE & NEUTRAL: 2 SETS OF 3-60mm2 THWN | | | | | | | | | | | | | | |
| TOTAL CURRENT | | | | 296 | GROUND: 1-14mm2 TW | | | | | | | | | | | | | | |
| | | | | | CONDUIT: 2x50 mmØ IMC | | | | | | | | | | | | | | |

| PANEL NAME: PPGF FED FROM: DPGF SYSTEM: 230Vac, 3Ø, 3w, 60Hz | | | | LOCATION: EE ROOM MOUNTING: WALL MOUNTED ENCLOSURE: NEMA-1 | | | | | | | | | | | | | | | |
|--|--------------------|------------|------|--|--|--------|------|-----------------|-------|-------|------|------------|-----------------|---------|------|--------------|-------------|----|-----|
| CKT NO. | DESCRIPTION | CONN. LOAD | VOLT | AMPERE LOAD | | | | CIRCUIT BREAKER | | | | CABLE SIZE | | CONDUIT | | REMARKS | | | |
| | | | | 3Ø | ØAB | ØCA | ØBC | AT | AF | POLE | KAIC | TYPE | PHASE & NEUTRAL | GROUND | SIZE | | TYPE | | |
| 1 | CONVENIENCE OUTLET | 1,260 | 0.80 | 1,008 | 230 | | | | | | | | | | | | | | |
| 2 | CONVENIENCE OUTLET | 1,440 | 0.80 | 1,152 | 230 | 5.48 | | | | | | | | | | | | | |
| 3 | CONVENIENCE OUTLET | 1,080 | 0.80 | 864 | 230 | | 4.70 | | | | | | | | | | | | |
| 4 | CONVENIENCE OUTLET | 1,440 | 0.80 | 1,152 | 230 | | 6.26 | | | | | | | | | | | | |
| 5 | HAND DRYER | 1,000 | 0.60 | 600 | 230 | | | 4.35 | | | | | | | | | | | |
| 6 | HAND DRYER | 1,000 | 0.60 | 600 | 230 | | | 4.35 | | | | | | | | | | | |
| 7 | CONVENIENCE OUTLET | 1,440 | 0.80 | 1,152 | 230 | 6.26 | | | | | | | | | | | | | |
| 8 | CONVENIENCE OUTLET | 540 | 0.80 | 432 | 230 | 2.35 | | | | | | | | | | | | | |
| 9 | HAND DRYER | 1,500 | 0.60 | 900 | 230 | | 6.52 | | | | | | | | | | | | |
| 10 | HAND DRYER | 1,500 | 0.60 | 900 | 230 | | 6.52 | | | | | | | | | | | | |
| 11 | HAND DRYER | 1,500 | 0.60 | 900 | 230 | | 6.52 | | | | | | | | | | | | |
| 12 | ACUV-1-12 & 13 | 882 | 0.80 | 706 | 230 | | | 3.84 | | | | | | | | | EMT/IMC | | |
| 13 | SPARE | | | | 230 | | | | | | | | | | | | | | |
| 14 | SPARE | | | | 230 | | | | | | | | | | | | | | |
| 15 | SPARE | | | | 230 | | | | | | | | | | | | | | |
| 16 | SPARE | | | | 230 | | | | | | | | | | | | | | |
| 17 | SPARE | | | | 230 | | | 0.00 | | | | | | | | | | | |
| 18 | SPARE | | | | 230 | | | 0.00 | | | | | | | | | | | |
| TOTAL | | | | 14,582 | 0.71 | 10,366 | 230 | 20.35 | 24.00 | 19.05 | 50 | 100 | 3 | 22 | MCCB | 3-14mm2 THWN | 1-8.0mm2 TW | 32 | IMC |
| DEMAND FACTOR | | | | 0.71 | MAIN CB: 50 AT 100 AF 3 POLE | | | | 230 V | | | | | | | | | | |
| DEMAND LOAD | | | | 10,366 | MAIN FEEDER: PHASE & NEUTRAL: 3-14mm2 THWN | | | | | | | | | | | | | | |
| TOTAL CURRENT | | | | 42 | GROUND: 1-8.0mm2 TW | | | | | | | | | | | | | | |
| | | | | | CONDUIT: 32 mmØ IMC | | | | | | | | | | | | | | |

| PANEL NAME: PPB FED FROM: DPGF SYSTEM: 230Vac, 3Ø, 3w, 60Hz | | | | LOCATION: EE ROOM MOUNTING: WALL MOUNTED ENCLOSURE: NEMA-1 | | | | | | | | | | | | | | | |
|---|---------------------|------------|------|--|--|--------|------|-----------------|-------|-------|------|------------|-----------------|---------|------|--------------|-------------|----|-----|
| CKT NO. | DESCRIPTION | CONN. LOAD | VOLT | AMPERE LOAD | | | | CIRCUIT BREAKER | | | | CABLE SIZE | | CONDUIT | | REMARKS | | | |
| | | | | 3Ø | ØAB | ØCA | ØBC | AT | AF | POLE | KAIC | TYPE | PHASE & NEUTRAL | GROUND | SIZE | | TYPE | | |
| 1 | CONVENIENCE OUTLET | 720 | 0.80 | 576 | 230 | 3.13 | | | | | | | | | | | | | |
| 2 | CONVENIENCE OUTLET | 1,260 | 0.80 | 1,008 | 230 | 5.48 | | | | | | | | | | | | | |
| 3 | CONVENIENCE OUTLET | 1,620 | 0.80 | 1,296 | 230 | | 7.04 | | | | | | | | | | | | |
| 4 | CONVENIENCE OUTLET | 900 | 0.80 | 720 | 230 | | 3.91 | | | | | | | | | | | | |
| 5 | CONVENIENCE OUTLET | 540 | 0.80 | 432 | 230 | | 2.35 | | | | | | | | | | | | |
| 6 | CONVENIENCE OUTLET | 1,080 | 0.80 | 864 | 230 | | 4.70 | | | | | | | | | | | | |
| 7 | CONVENIENCE OUTLET | 1,440 | 0.80 | 1,152 | 230 | | 6.26 | | | | | | | | | | | | |
| 8 | HAND DRYER | 1,500 | 0.60 | 900 | 230 | | 6.52 | | | | | | | | | | | | |
| 9 | HAND DRYER | 1,500 | 0.60 | 900 | 230 | | 6.52 | | | | | | | | | | | | |
| 10 | REF | 500 | 0.80 | 400 | 230 | | 2.17 | | | | | | | | | | | | |
| 11 | MICROWAVE | 1,500 | 0.80 | 1,200 | 230 | | 6.52 | | | | | | | | | | | | |
| 12 | LIGHTING | 346 | 0.90 | 311 | 230 | | 1.50 | | | | | | | | | | EMT/IMC | | |
| 13 | LIGHTING+TEF-B1-01 | 724 | 0.90 | 651 | 230 | | 3.15 | | | | | | | | | | | | |
| 14 | ACUV-B1-01 TO 04 | 424 | 1.00 | 424 | 230 | | 1.84 | | | | | | | | | | EMT/IMC | | |
| 15 | ACUV-B1-01 TO 04 | 341 | 1.00 | 341 | 230 | | 1.48 | | | | | | | | | | EMT/IMC | | |
| 16 | CONVENIENCE OUTLET | 540 | 0.80 | 432 | 230 | | 2.35 | | | | | | | | | | PVC | | |
| 17 | ESP | 1,840 | 0.80 | 1,472 | 230 | | 8.00 | | | | | | | | | | EMT/IMC | | |
| 18 | LIGHTING | 346 | 0.90 | 311 | 230 | | 1.50 | | | | | | | | | | EMT/IMC | | |
| 19 | ELECTRONIC SIGNAGES | 300 | 0.90 | 270 | 230 | | 1.30 | | | | | | | | | | EMT/IMC | | |
| 20 | SPARE | | | | 230 | | 0.00 | | | | | | | | | | | | |
| 21 | CONVENIENCE OUTLET | 540 | 0.80 | 432 | 230 | | 2.35 | | | | | | | | | | PVC | | |
| 22 | SPARE | | | | 230 | | 0.00 | | | | | | | | | | | | |
| 23 | SPARE | | | | 230 | | 0.00 | | | | | | | | | | | | |
| 24 | SPARE | | | | 230 | | 0.00 | | | | | | | | | | | | |
| TOTAL | | | | 17,960 | 0.78 | 14,093 | 230 | 27.68 | 25.83 | 24.57 | 70 | 100 | 3 | 22 | MCCB | 3-14mm2 THWN | 1-5.5mm2 TW | 32 | IMC |
| DEMAND FACTOR | | | | 0.78 | MAIN CB: 70 AT 100 AF 3 POLE | | | | 230 V | | | | | | | | | | |
| DEMAND LOAD | | | | 14,093 | MAIN FEEDER: PHASE & NEUTRAL: 3-14mm2 THWN | | | | | | | | | | | | | | |
| TOTAL CURRENT | | | | 48 | GROUND: 1-5.5mm2 TW | | | | | | | | | | | | | | |
| | | | | | CONDUIT: 32 mmØ IMC | | | | | | | | | | | | | | |

| PANEL NAME: PPGFA FED FROM: DPGF SYSTEM: 230Vac, 3Ø, 3w, 60Hz | | | | LOCATION: EE ROOM MOUNTING: WALL MOUNTED ENCLOSURE: NEMA-1 | | | | | | | | | | | | | | | |
|---|----------------------|------------|------|--|--|-------|------|-----------------|-------|-------|------|------------|-----------------|---------|------|--------------|-------------|----|-----|
| CKT NO. | DESCRIPTION | CONN. LOAD | VOLT | AMPERE LOAD | | | | CIRCUIT BREAKER | | | | CABLE SIZE | | CONDUIT | | REMARKS | | | |
| | | | | 3Ø | ØAB | ØCA | ØBC | AT | AF | POLE | KAIC | TYPE | PHASE & NEUTRAL | GROUND | SIZE | | TYPE | | |
| 1 | CONVENIENCE OUTLET | 720 | 0.80 | 576 | 230 | 3.13 | | | | | | | | | | | | | |
| 2 | CONVENIENCE OUTLET | 720 | 0.80 | 576 | 230 | 3.13 | | | | | | | | | | | | | |
| 3 | HAND DRYER | 1,500 | 0.60 | 900 | 230 | | 6.52 | | | | | | | | | | | | |
| 4 | SPARE | | | | 230 | | 0.00 | | | | | | | | | | | | |
| 5 | HAND DRYER | 1,500 | 0.60 | 900 | 230 | | 6.52 | | | | | | | | | | | | |
| 6 | HAND DRYER | 1,500 | 0.60 | 900 | 230 | | 6.52 | | | | | | | | | | | | |
| 7 | CONVENIENCE OUTLET | 900 | 0.80 | 720 | 230 | 3.91 | | | | | | | | | | | | | |
| 8 | CONVENIENCE OUTLET | 900 | 0.80 | 720 | 230 | 3.91 | | | | | | | | | | | | | |
| 9 | CONVENIENCE OUTLET | 540 | 0.80 | 432 | 230 | | 2.35 | | | | | | | | | | | | |
| 10 | CONVENIENCE OUTLET | 720 | 0.80 | 576 | 230 | | 3.13 | | | | | | | | | | | | |
| 11 | ACUV-1-06 & 08 TO 11 | 282 | 0.80 | 226 | 230 | | 1.23 | | | | | | | | | | EMT/IMC | | |
| 12 | ACUV-1-01 TO 05 & 07 | 329 | 0.80 | 264 | 230 | | 1.43 | | | | | | | | | | EMT/IMC | | |
| 13 | CONVENIENCE OUTLET | 540 | 0.80 | 432 | 230 | | 2.35 | | | | | | | | | | PVC | | |
| 14 | CONVENIENCE OUTLET | 360 | 0.80 | 288 | 230 | | 1.57 | | | | | | | | | | PVC | | |
| 15 | CONVENIENCE OUTLET | 900 | 0.80 | 720 | 230 | | 3.91 | | | | | | | | | | PVC | | |
| 16 | CONVENIENCE OUTLET | 360 | 0.80 | 288 | 230 | | 1.57 | | | | | | | | | | PVC | | |
| 17 | SPARE | | | | 230 | | 0.00 | | | | | | | | | | | | |
| 18 | CONVENIENCE OUTLET | 540 | 0.80 | 432 | 230 | | 2.35 | | | | | | | | | | PVC | | |
| 19 | SPARE | | | | 230 | | 0.00 | | | | | | | | | | | | |
| 20 | SPARE | | | | 230 | | 0.00 | | | | | | | | | | | | |
| 21 | SPARE | | | | 230 | | 0.00 | | | | | | | | | | | | |
| 22 | SPARE | | | | 230 | | 0.00 | | | | | | | | | | | | |
| 23 | SPARE | | | | 230 | | 0.00 | | | | | | | | | | | | |
| 24 | SPARE | | | | 230 | | 0.00 | | | | | | | | | | | | |
| TOTAL | | | | 12,312 | 0.73 | 8,949 | 230 | 18.00 | 17.48 | 18.05 | 50 | 100 | 3 | 22 | MCCB | 3-14mm2 THWN | 1-8.0mm2 TW | 32 | IMC |
| DEMAND FACTOR | | | | 0.73 | MAIN CB: 50 AT 100 AF 3 POLE | | | | 230 V | | | | | | | | | | |
| DEMAND LOAD | | | | 8,949 | MAIN FEEDER: PHASE & NEUTRAL: 3-14mm2 THWN | | | | | | | | | | | | | | |
| TOTAL CURRENT | | | | 31 | GROUND: 1-8.0mm2 TW | | | | | | | | | | | | | | |
| | | | | | CONDUIT: 32 mmØ IMC | | | | | | | | | | | | | | |

| PANEL NAME: PPRD1 FED FROM: DPGF SYSTEM: 230Vac, 3Ø, 3w, 60Hz | | | | LOCATION: EE ROOM MOUNTING: WALL MOUNTED ENCLOSURE: NEMA-1 | | | | | | | | | | | | |
|---|-------------|------------|------|--|-----|-----|-----|-----------------|----|------|------|------------|-----------------|---------|------|---------|
| CKT NO. | DESCRIPTION | CONN. LOAD | VOLT | AMPERE LOAD | | | | CIRCUIT BREAKER | | | | CABLE SIZE | | CONDUIT | | REMARKS |
| | | | | 3Ø | ØAB | ØCA | ØBC | AT | AF | POLE | KAIC | TYPE | PHASE & NEUTRAL | GROUND | SIZE | |

| PANEL NAME: LPGA FED FROM: DPGF SYSTEM: 230Vac, 3Ø, 3w, 60Hz | | | | | | | | | | LOCATION: MOUNTING: ENCLOSURE: | | | EE ROOM - GF WALL MOUNTED NEMA-1 | | | | | | | | |
|--|---------------------|------------|---------------|-------------|------|-------------|------|-------|-----|--------------------------------------|------|------|--|------------|-----------------|---------------|------|------------------|----------------|----|-----|
| CKT NO. | DESCRIPTION | CONN. LOAD | DEMAND FACTOR | DEMAND LOAD | VOLT | AMPERE LOAD | | | | CIRCUIT BREAKER | | | | CABLE SIZE | | CONDUIT | | REMARKS | | | |
| | | | | | | Ø3Ø | ØAB | ØCA | ØBC | AT | AF | POLE | KAIC | TYPE | PHASE & NEUTRAL | GROUND | SIZE | | TYPE | | |
| 1 | FIRE EXIT LIGHTING | 544 | 0.90 | 490 | 230 | 2.37 | | | | 20 | 100 | 2 | 18 | MCCB | 2 - 3.5mm2 THWN | 1 - 3.5mm2 TW | 20 | PVC | | | |
| 2 | FIRE EXIT LIGHTING | 464 | 0.90 | 418 | 230 | 2.02 | | | | 20 | 100 | 2 | 18 | MCCB | 2 - 3.5mm2 THWN | 1 - 3.5mm2 TW | 20 | PVC | | | |
| 3 | LIGHTING | 793 | 0.90 | 714 | 230 | | 3.45 | | | 20 | 100 | 2 | 18 | MCCB | 2 - 3.5mm2 THWN | 1 - 3.5mm2 TW | 15 | EMT/IMC | | | |
| 4 | LIGHTING | 937 | 0.90 | 843 | 230 | | 4.07 | | | 20 | 100 | 2 | 18 | MCCB | 2 - 3.5mm2 THWN | 1 - 3.5mm2 TW | 15 | EMT/IMC | | | |
| 5 | LIGHTING | 568 | 0.90 | 511 | 230 | | | 2.47 | | 20 | 100 | 2 | 18 | MCCB | 2 - 3.5mm2 THWN | 1 - 3.5mm2 TW | 15 | EMT/IMC | | | |
| 6 | STAIRCASE LIGHTING | 712 | 0.90 | 641 | 230 | | | 3.10 | | 20 | 100 | 2 | 18 | MCCB | 2 - 3.5mm2 THWN | 1 - 3.5mm2 TW | 20 | PVC | | | |
| 7 | ELECTRONIC SIGNAGES | 375 | 0.90 | 338 | 230 | 1.63 | | | | 20 | 100 | 2 | 18 | MCCB | 2 - 3.5mm2 THWN | 1 - 3.5mm2 TW | 15 | EMT/IMC | | | |
| 8 | SPARE | | | | 230 | 0.00 | | | | 20 | 100 | 2 | 18 | MCCB | | | | | | | |
| 9 | SPARE | | | | 230 | | 0.00 | | | 20 | 100 | 2 | 18 | MCCB | | | | | | | |
| 10 | SPARE | | | | 230 | | 0.00 | | | 20 | 100 | 2 | 18 | MCCB | | | | | | | |
| 11 | SPARE | | | | 230 | | | 0.00 | | 20 | 100 | 2 | 18 | MCCB | | | | | | | |
| 12 | SPARE | | | | 230 | | | 0.00 | | 20 | 100 | 2 | 18 | MCCB | | | | | | | |
| TOTAL | | | | | | 3,385 | 0.90 | 3,047 | 230 | 6.01 | 7.52 | 5.57 | 40 | 100 | 3 | 22 | MCCB | 3 - 8.0 mm2 THWN | 1 - 5.5 mm2 TW | 25 | IMC |

DEMAND FACTOR: 0.90
DEMAND LOAD: 3,047
TOTAL CURRENT: 13

MAIN CB: 40 AT 100 AF 3 POLE 230 V
MAIN FEEDER: PHASE & NEUTRAL: 3 - 8.0 mm2 THWN
GROUND: 1 - 5.5 mm2 TW
CONDUIT: 25 mmØ IMC

| PANEL NAME: LP2F FED FROM: DPGF SYSTEM: 230Vac, 3Ø, 3w, 60Hz | | | | | | | | | | LOCATION: MOUNTING: ENCLOSURE: | | | EE ROOM - 2F WALL MOUNTED NEMA-1 | | | | | | | | |
|--|---------------------|------------|---------------|-------------|------|-------------|------|-------|-----|--------------------------------------|------|------|--|------------|-----------------|---------------|------|------------------|----------------|----|-----|
| CKT NO. | DESCRIPTION | CONN. LOAD | DEMAND FACTOR | DEMAND LOAD | VOLT | AMPERE LOAD | | | | CIRCUIT BREAKER | | | | CABLE SIZE | | CONDUIT | | REMARKS | | | |
| | | | | | | Ø3Ø | ØAB | ØCA | ØBC | AT | AF | POLE | KAIC | TYPE | PHASE & NEUTRAL | GROUND | SIZE | | TYPE | | |
| 1 | LIGHTING-2F | 793 | 0.90 | 714 | 230 | 3.45 | | | | 20 | 100 | 2 | 18 | MCCB | 2 - 3.5mm2 THWN | 1 - 3.5mm2 TW | 15 | EMT/IMC | | | |
| 2 | LIGHTING-2F | 260 | 0.90 | 234 | 230 | 1.13 | | | | 20 | 100 | 2 | 18 | MCCB | 2 - 3.5mm2 THWN | 1 - 3.5mm2 TW | 15 | EMT/IMC | | | |
| 3 | LIGHTING-3F | 625 | 0.90 | 562 | 230 | | 2.72 | | | 20 | 100 | 2 | 18 | MCCB | 2 - 3.5mm2 THWN | 1 - 3.5mm2 TW | 15 | EMT/IMC | | | |
| 4 | LIGHTING | 407 | 0.90 | 367 | 230 | | 1.77 | | | 20 | 100 | 2 | 18 | MCCB | 2 - 3.5mm2 THWN | 1 - 3.5mm2 TW | 15 | EMT/IMC | | | |
| 5 | LIGHTING | 144 | 0.90 | 130 | 230 | | | 0.63 | | 20 | 100 | 2 | 18 | MCCB | 2 - 3.5mm2 THWN | 1 - 3.5mm2 TW | 15 | EMT/IMC | | | |
| 6 | ELECTRONIC SIGNAGES | 250 | 0.90 | 225 | 230 | | | 1.09 | | 20 | 100 | 2 | 18 | MCCB | 2 - 3.5mm2 THWN | 1 - 3.5mm2 TW | 15 | EMT/IMC | | | |
| 7 | ELECTRONIC SIGNAGES | 275 | 0.90 | 248 | 230 | 1.20 | | | | 20 | 100 | 2 | 18 | MCCB | 2 - 3.5mm2 THWN | 1 - 3.5mm2 TW | 15 | EMT/IMC | | | |
| 8 | SPARE | | | | 230 | 0.00 | | | | 20 | 100 | 2 | 18 | MCCB | | | | | | | |
| 9 | SPARE | | | | 230 | | 0.00 | | | 20 | 100 | 2 | 18 | MCCB | | | | | | | |
| 10 | SPARE | | | | 230 | | 0.00 | | | 20 | 100 | 2 | 18 | MCCB | | | | | | | |
| 11 | SPARE | | | | 230 | | | 0.00 | | 20 | 100 | 2 | 18 | MCCB | | | | | | | |
| 12 | SPARE | | | | 230 | | | 0.00 | | 20 | 100 | 2 | 18 | MCCB | | | | | | | |
| TOTAL | | | | | | 2,754 | 0.90 | 2,479 | 230 | 5.78 | 4.49 | 1.71 | 40 | 100 | 3 | 22 | MCCB | 3 - 8.0 mm2 THWN | 1 - 5.5 mm2 TW | 25 | IMC |

DEMAND FACTOR: 0.90
DEMAND LOAD: 2,479
TOTAL CURRENT: 10

MAIN CB: 40 AT 100 AF 3 POLE 230 V
MAIN FEEDER: PHASE & NEUTRAL: 3 - 8.0 mm2 THWN
GROUND: 1 - 5.5 mm2 TW
CONDUIT: 25 mmØ IMC

| PANEL NAME: PP2F FED FROM: DPGF SYSTEM: 230Vac, 3Ø, 3w, 60Hz | | | | | | | | | | LOCATION: MOUNTING: ENCLOSURE: | | | EE ROOM WALL MOUNTED NEMA-1 | | | | | | | | |
|--|--------------------|------------|---------------|-------------|------|-------------|------|-------|-----|--------------------------------------|-------|-------|-----------------------------------|------------|------------------|----------------|------|-----------------|----------------|----|-----|
| CKT NO. | DESCRIPTION | CONN. LOAD | DEMAND FACTOR | DEMAND LOAD | VOLT | AMPERE LOAD | | | | CIRCUIT BREAKER | | | | CABLE SIZE | | CONDUIT | | REMARKS | | | |
| | | | | | | Ø3Ø | ØAB | ØCA | ØBC | AT | AF | POLE | KAIC | TYPE | PHASE & NEUTRAL | GROUND | SIZE | | TYPE | | |
| 1 | CONVENIENCE OUTLET | 1,260 | 0.80 | 1,008 | 230 | 5.48 | | | | 20 | 100 | 2 | 18 | MCCB | 2 - 3.5 mm2 THWN | 1 - 3.5 mm2 TW | 20 | PVC | | | |
| 2 | CONVENIENCE OUTLET | 1,440 | 0.80 | 1,152 | 230 | 6.26 | | | | 20 | 100 | 2 | 18 | MCCB | 2 - 3.5 mm2 THWN | 1 - 3.5 mm2 TW | 20 | PVC | | | |
| 3 | HAND DRYER | 1,500 | 0.60 | 900 | 230 | | 6.52 | | | 20 | 100 | 2 | 18 | MCCB | 2 - 3.5 mm2 THWN | 1 - 3.5 mm2 TW | 20 | PVC | | | |
| 4 | HAND DRYER | 1,500 | 0.60 | 900 | 230 | | 6.52 | | | 20 | 100 | 2 | 18 | MCCB | 2 - 3.5 mm2 THWN | 1 - 3.5 mm2 TW | 20 | PVC | | | |
| 5 | HAND DRYER | 1,500 | 0.60 | 900 | 230 | | | 6.52 | | 20 | 100 | 2 | 18 | MCCB | 2 - 3.5 mm2 THWN | 1 - 3.5 mm2 TW | 20 | PVC | | | |
| 6 | HAND DRYER | 1,500 | 0.60 | 900 | 230 | | | 6.52 | | 20 | 100 | 2 | 18 | MCCB | 2 - 3.5 mm2 THWN | 1 - 3.5 mm2 TW | 20 | PVC | | | |
| 7 | CONVENIENCE OUTLET | 1,080 | 0.80 | 864 | 230 | 4.70 | | | | 20 | 100 | 2 | 18 | MCCB | 2 - 3.5 mm2 THWN | 1 - 3.5 mm2 TW | 20 | PVC | | | |
| 8 | SPARE | | | | 230 | 0.00 | | | | 20 | 100 | 2 | 18 | MCCB | | | | | | | |
| 9 | CONVENIENCE OUTLET | 1,080 | 0.80 | 864 | 230 | | 4.70 | | | 20 | 100 | 2 | 18 | MCCB | 2 - 3.5 mm2 THWN | 1 - 3.5 mm2 TW | 20 | PVC | | | |
| 10 | ACUV-2-01 | 353 | 0.80 | 282 | 230 | | 1.53 | | | 20 | 100 | 2 | 18 | MCCB | 2 - 3.5 mm2 THWN | 1 - 3.5 mm2 TW | 15 | EMT/IMC | | | |
| 11 | HAND DRYER | 1,500 | 0.60 | 900 | 230 | | | 6.52 | | 20 | 100 | 2 | 18 | MCCB | 2 - 3.5 mm2 THWN | 1 - 3.5 mm2 TW | 20 | PVC | | | |
| 12 | SPARE | | | | 230 | 0.00 | | | | 20 | 100 | 2 | 18 | MCCB | | | | | | | |
| 13 | CONVENIENCE OUTLET | 540 | 0.80 | 432 | 230 | 2.35 | | | | 20 | 100 | 2 | 18 | MCCB | 2 - 3.5 mm2 THWN | 1 - 3.5 mm2 TW | 20 | PVC | | | |
| 14 | SPARE | | | | 230 | 0.00 | | | | 20 | 100 | 2 | 18 | MCCB | | | | | | | |
| 15 | SPARE | | | | 230 | | 0.00 | | | 20 | 100 | 2 | 18 | MCCB | | | | | | | |
| 16 | SPARE | | | | 230 | | 0.00 | | | 20 | 100 | 2 | 18 | MCCB | | | | | | | |
| TOTAL | | | | | | 13,253 | 0.69 | 9,102 | 230 | 18.78 | 19.27 | 19.57 | 50 | 100 | 3 | 22 | MCCB | 3 - 14 mm2 THWN | 1 - 8.0 mm2 TW | 32 | IMC |

DEMAND FACTOR: 0.69
DEMAND LOAD: 9,102
TOTAL CURRENT: 34

MAIN CB: 50 AT 100 AF 3 POLE 230 V
MAIN FEEDER: PHASE & NEUTRAL: 3 - 14 mm2 THWN
GROUND: 1 - 8.0 mm2 TW
CONDUIT: 32 mmØ IMC

| PANEL NAME: PP3F FED FROM: DPGF SYSTEM: 230Vac, 3Ø, 3w, 60Hz | | | | | | | | | | LOCATION: MOUNTING: ENCLOSURE: | | | EE ROOM WALL MOUNTED NEMA-1 | | | | | | | | |
|--|--------------------|------------|---------------|-------------|------|-------------|------|-------|-----|--------------------------------------|-------|-------|-----------------------------------|------------|------------------|----------------|------|-----------------|----------------|----|-----|
| CKT NO. | DESCRIPTION | CONN. LOAD | DEMAND FACTOR | DEMAND LOAD | VOLT | AMPERE LOAD | | | | CIRCUIT BREAKER | | | | CABLE SIZE | | CONDUIT | | REMARKS | | | |
| | | | | | | Ø3Ø | ØAB | ØCA | ØBC | AT | AF | POLE | KAIC | TYPE | PHASE & NEUTRAL | GROUND | SIZE | | TYPE | | |
| 1 | CONVENIENCE OUTLET | 1,080 | 0.80 | 864 | 230 | 4.70 | | | | 20 | 100 | 2 | 18 | MCCB | 2 - 3.5 mm2 THWN | 1 - 3.5 mm2 TW | 20 | PVC | | | |
| 2 | HAND DRYER | 1,500 | 0.60 | 900 | 230 | 6.52 | | | | 20 | 100 | 2 | 18 | MCCB | 2 - 3.5 mm2 THWN | 1 - 3.5 mm2 TW | 20 | PVC | | | |
| 3 | HAND DRYER | 1,500 | 0.60 | 900 | 230 | | 6.52 | | | 20 | 100 | 2 | 18 | MCCB | 2 - 3.5 mm2 THWN | 1 - 3.5 mm2 TW | 20 | PVC | | | |
| 4 | CONVENIENCE OUTLET | 1,080 | 0.80 | 864 | 230 | | 4.70 | | | 20 | 100 | 2 | 18 | MCCB | 2 - 3.5 mm2 THWN | 1 - 3.5 mm2 TW | 20 | PVC | | | |
| 5 | CONVENIENCE OUTLET | 1,080 | 0.80 | 864 | 230 | | | 4.70 | | 20 | 100 | 2 | 18 | MCCB | 2 - 3.5 mm2 THWN | 1 - 3.5 mm2 TW | 20 | PVC | | | |
| 6 | HAND DRYER | 1,500 | 0.60 | 900 | 230 | | | 6.52 | | 20 | 100 | 2 | 18 | MCCB | 2 - 3.5 mm2 THWN | 1 - 3.5 mm2 TW | 20 | PVC | | | |
| 7 | SPARE | | | | 230 | 0.00 | | | | 20 | 100 | 2 | 18 | MCCB | | | | | | | |
| 8 | SPARE | | | | 230 | 0.00 | | | | 20 | 100 | 2 | 18 | MCCB | | | | | | | |
| 9 | ACUV-3-01 & 02 | 706 | 0.80 | 565 | 230 | | 3.07 | | | 20 | 100 | 2 | 18 | MCCB | 2 - 3.5 mm2 THWN | 1 - 3.5 mm2 TW | 15 | EMT/IMC | | | |
| 10 | SPARE | | | | 230 | | 0.00 | | | 20 | 100 | 2 | 18 | MCCB | | | | | | | |
| 11 | SPARE | | | | 230 | | | 0.00 | | 20 | 100 | 2 | 18 | MCCB | | | | | | | |
| 12 | SPARE | | | | 230 | | | 0.00 | | 20 | 100 | 2 | 18 | MCCB | | | | | | | |
| TOTAL | | | | | | 8,446 | 0.69 | 5,857 | 230 | 11.22 | 14.29 | 11.22 | 50 | 100 | 3 | 22 | MCCB | 3 - 14 mm2 THWN | 1 - 5.5 mm2 TW | 32 | IMC |

DEMAND FACTOR: 0.69
DEMAND LOAD: 5,857
TOTAL CURRENT: 25

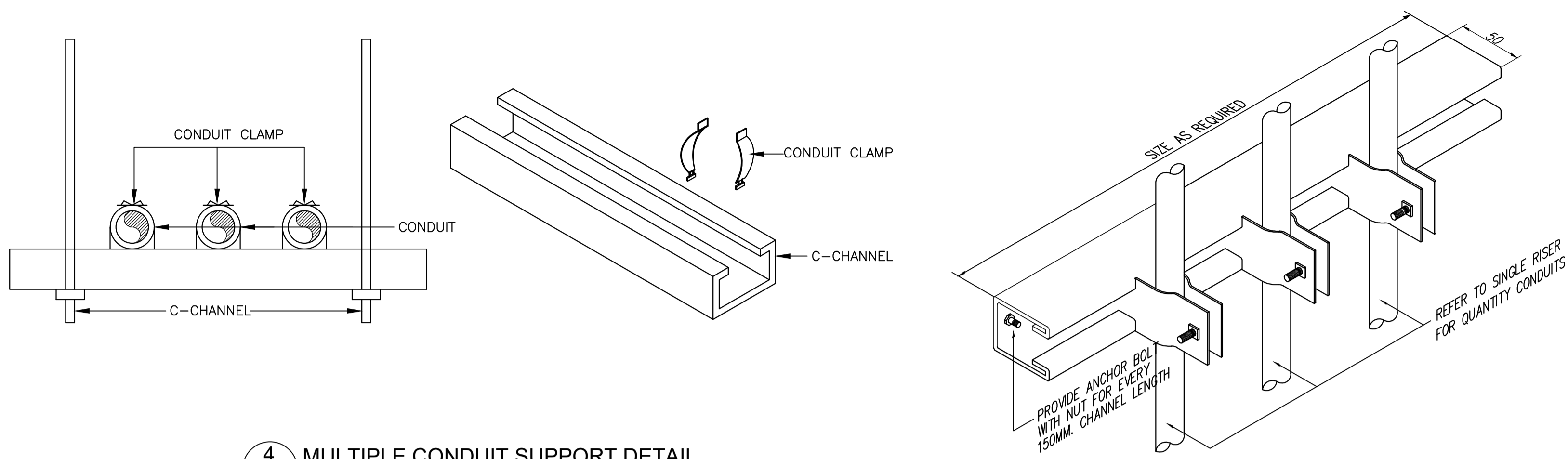
MAIN CB: 50 AT 100 AF 3 POLE 230 V
MAIN FEEDER: PHASE & NEUTRAL: 3 - 14 mm2 THWN
GROUND: 1 - 5.5 mm2 TW
CONDUIT: 32 mmØ IMC

| PANEL NAME: PP2FA FED FROM: DPGF SYSTEM: 230Vac, 3Ø, 3w, 60Hz | | | | | | | | | | LOCATION: MOUNTING: ENCLOSURE: | | | EE ROOM WALL MOUNTED NEMA-1 | | | | | | | | |
|---|-------------|------------|---------------|-------------|------|-------------|------|-------|-----|--------------------------------------|-------|-------|-----------------------------------|------------|------------------|----------------|------|-----------------|----------------|----|-----|
| CKT NO. | DESCRIPTION | CONN. LOAD | DEMAND FACTOR | DEMAND LOAD | VOLT | AMPERE LOAD | | | | CIRCUIT BREAKER | | | | CABLE SIZE | | CONDUIT | | REMARKS | | | |
| | | | | | | Ø3Ø | ØAB | ØCA | ØBC | AT | AF | POLE | KAIC | TYPE | PHASE & NEUTRAL | GROUND | SIZE | | TYPE | | |
| 1 | PPC1 | 1,232 | 0.81 | 1,001 | 230 | 5.36 | | | | 30 | 100 | 2 | 22 | MCCB | 2 - 5.5 mm2 THWN | 1 - 5.5 mm2 TW | 20 | IMC | | | |
| 2 | PPC2 | 1,232 | 0.81 | 1,001 | 230 | 5.36 | | | | 30 | 100 | 2 | 22 | MCCB | 2 - 5.5 mm2 THWN | 1 - 5.5 mm2 TW | 20 | IMC | | | |
| 3 | PPC3 | 1,232 | 0.81 | 1,001 | 230 | | 5.36 | | | 30 | 100 | 2 | 22 | MCCB | 2 - 5.5 mm2 THWN | 1 - 5.5 mm2 TW | 20 | IMC | | | |
| 4 | PPC4 | 1,232 | 0.81 | 1,001 | 230 | | 5.36 | | | 30 | 100 | 2 | 22 | MCCB | 2 - 5.5 mm2 THWN | 1 - 5.5 mm2 TW | 20 | IMC | | | |
| 5 | PPC5 | 1,232 | 0.81 | 1,001 | 230 | | | 5.36 | | 30 | 100 | 2 | 22 | MCCB | 2 - 5.5 mm2 THWN | 1 - 5.5 mm2 TW | 20 | IMC | | | |
| 6 | PPC6 | 1,232 | 0.81 | 1,001 | 230 | | | 5.36 | | 30 | 100 | 2 | 22 | MCCB | 2 - 5.5 mm2 THWN | 1 - 5.5 mm2 TW | 20 | IMC | | | |
| TOTAL | | | | | | 7,392 | 0.81 | 6,005 | 230 | 10.71 | 10.71 | 10.71 | 50 | 100 | 3 | 22 | MCCB | 3 - 14 mm2 THWN | 1 - 5.5 mm2 TW | 32 | IMC |

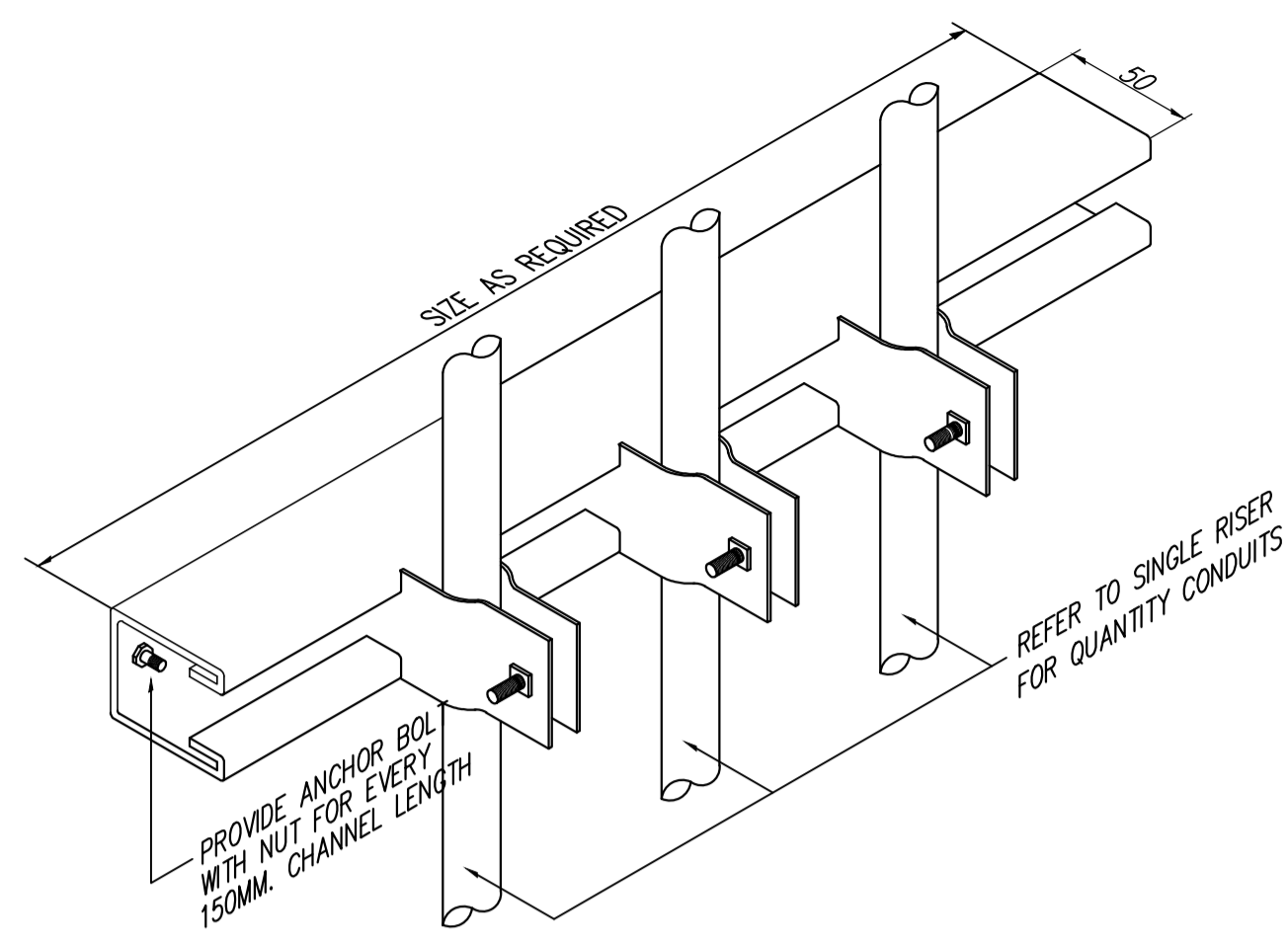
DEMAND FACTOR: 0.81
DEMAND LOAD: 6,005
TOTAL CURRENT: 19

MAIN CB: 50 AT 100 AF 3 POLE 230 V
MAIN FEEDER: PHASE & NEUTRAL: 3 - 14 mm2 THWN
GROUND: 1 - 5.5 mm2 TW
CONDUIT: 32 mmØ IMC

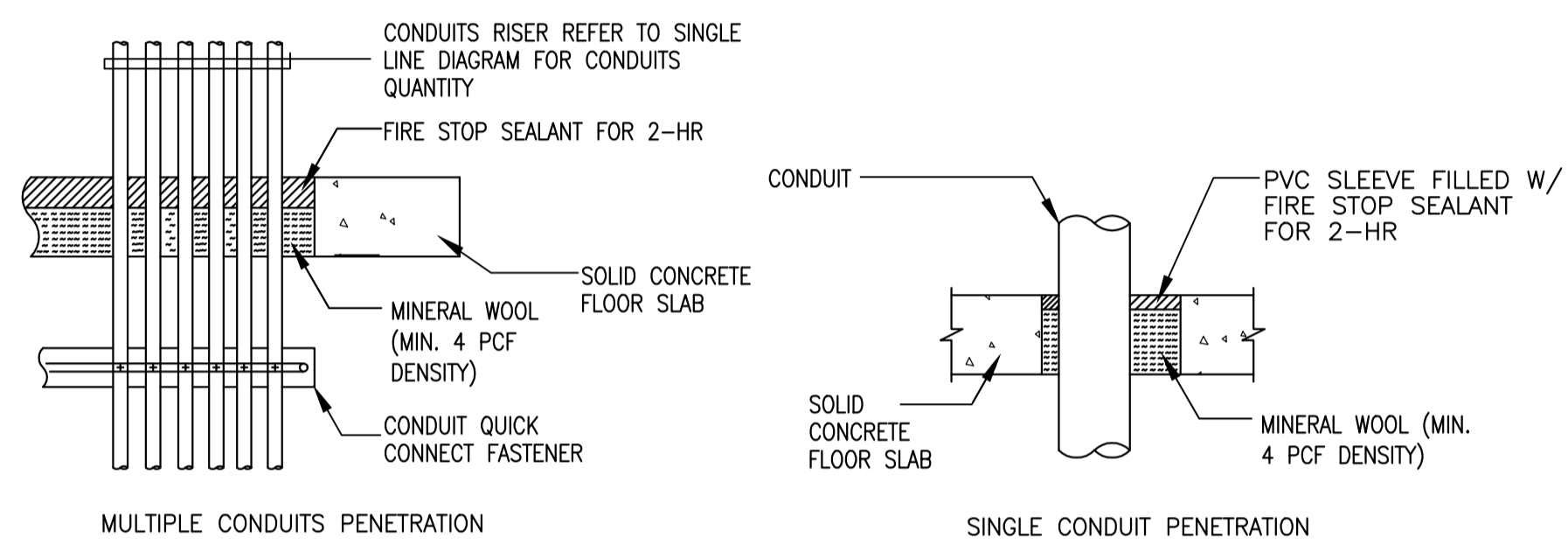
| PANEL NAME: PP3FA FED FROM: DPGF SYSTEM: 230Vac, 3Ø, 3w, 60Hz | | | | | | | | | | LOCATION: MOUNTING: ENCLOSURE: | | | EE ROOM WALL MOUNTED NEMA-1 | | | | | | |
|---|-------------|------------|---------------|-------------|------|-------------|-----|-----|-----|--------------------------------------|-----|------|-----------------------------------|------------|------------------|----------------|------|---------|------|
| CKT NO. | DESCRIPTION | CONN. LOAD | DEMAND FACTOR | DEMAND LOAD | VOLT | AMPERE LOAD | | | | CIRCUIT BREAKER | | | | CABLE SIZE | | CONDUIT | | REMARKS | |
| | | | | | | Ø3Ø | ØAB | ØCA | ØBC | AT | AF | POLE | KAIC | TYPE | PHASE & NEUTRAL | GROUND | SIZE | | TYPE |
| 1 | PPC7 | 1,232 | 0.81 | 1,001 | 230 | 5.36 | | | | 30 | 100 | 2 | 22 | MCCB | 2 - 5.5 mm2 THWN | 1 - 5.5 mm2 TW | 20 | IMC | |
| 2 | PPC8 | 1,232 | 0.81 | 1,001 | 230 | 5.36 | | | | 30 | 100 | 2 | | | | | | | |



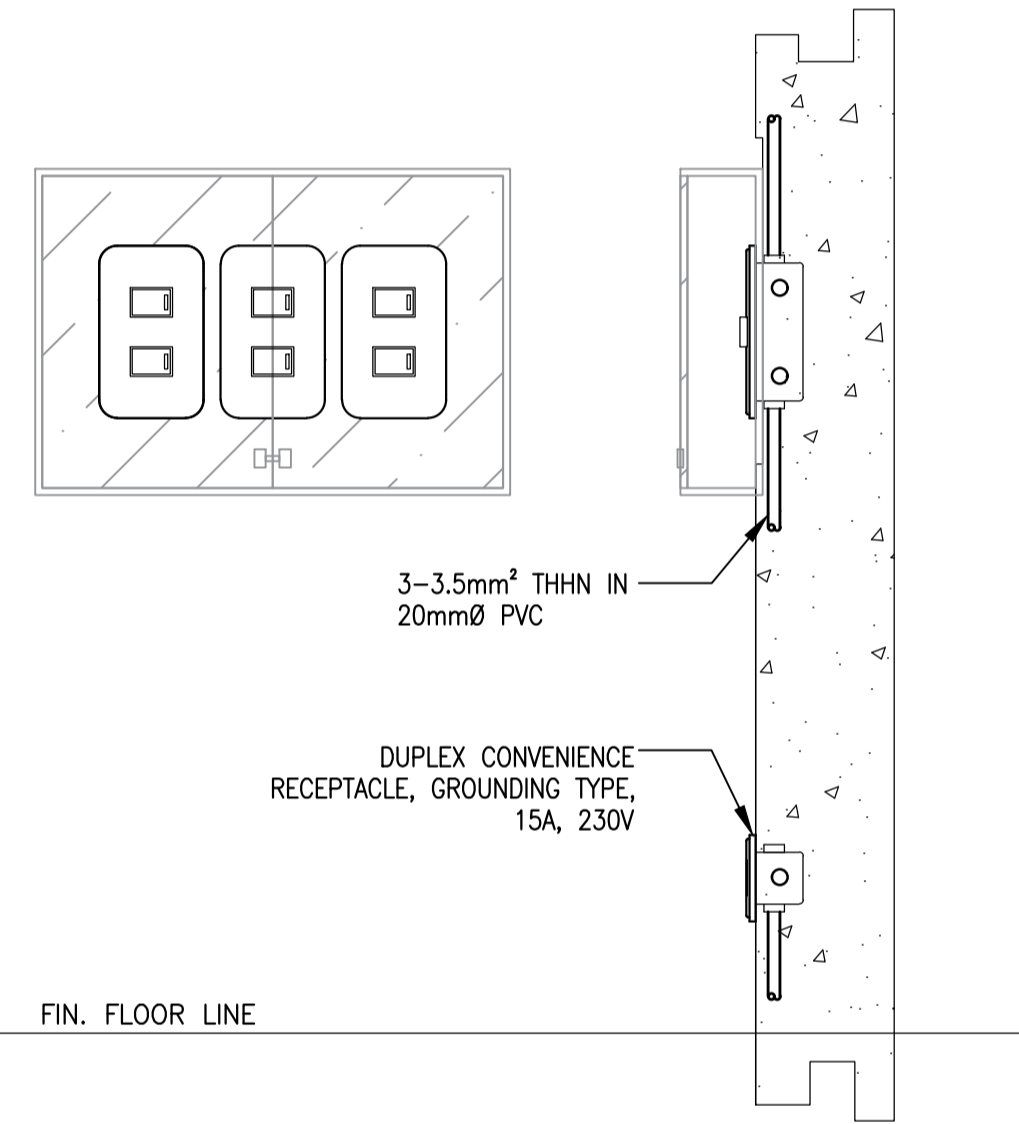
4 MULTIPLE CONDUIT SUPPORT DETAIL
E-16 SCALE: NTS



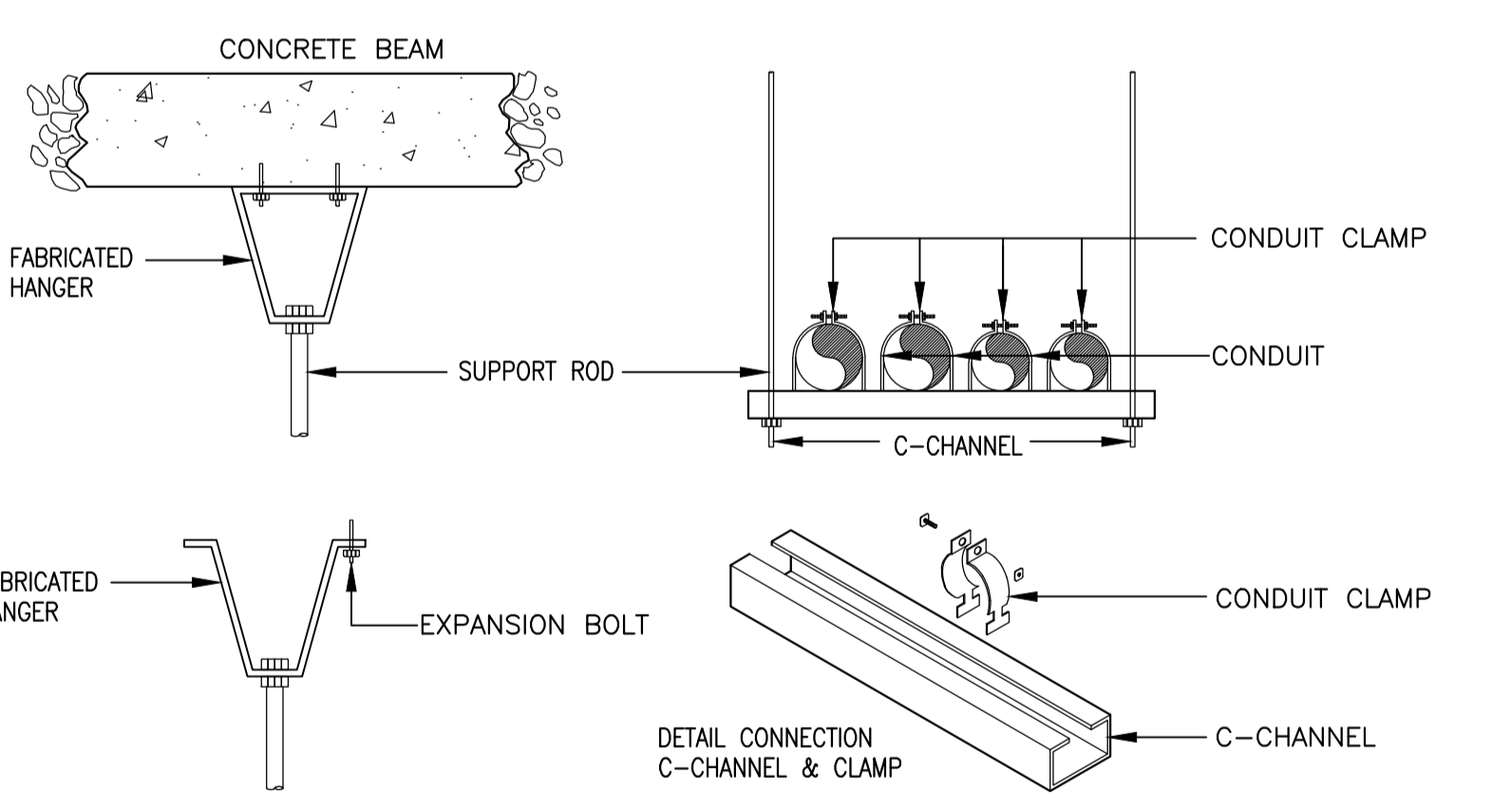
7 CONDUIT RISER DETAIL
E-16 SCALE: NTS



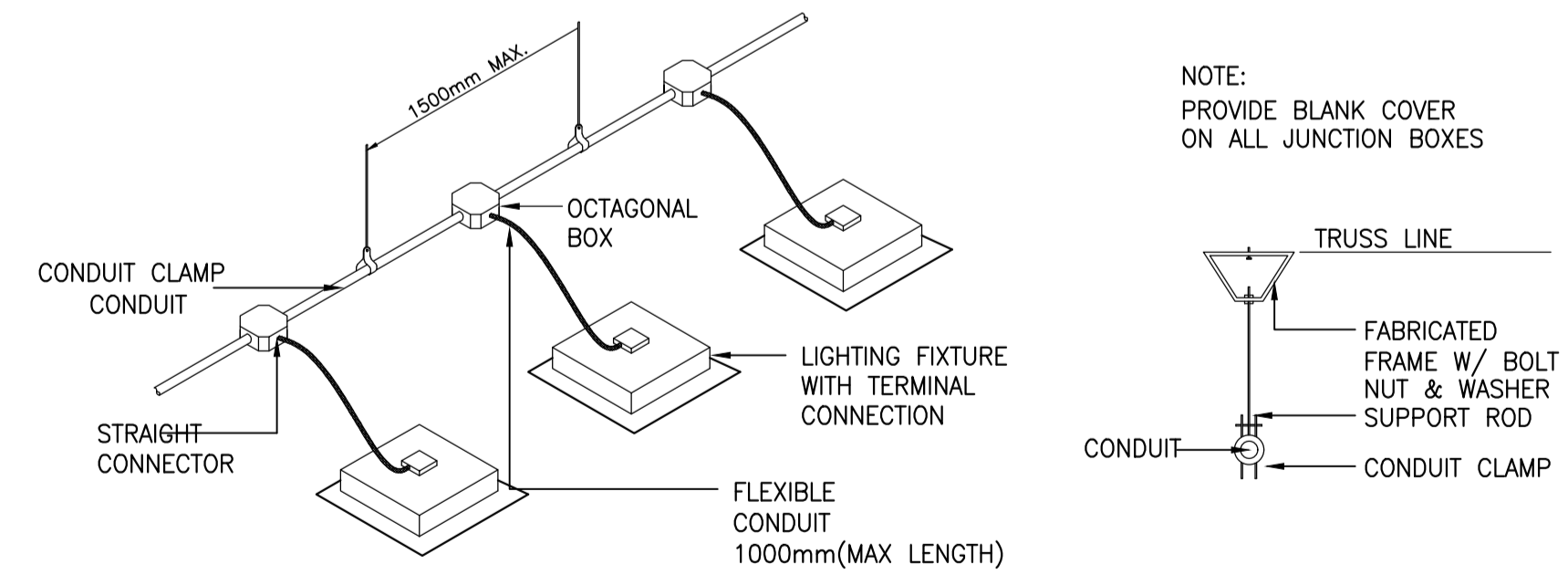
5 RACEWAY PENETRATIONS WITH FIRESTOP
E-16 SCALE: NTS



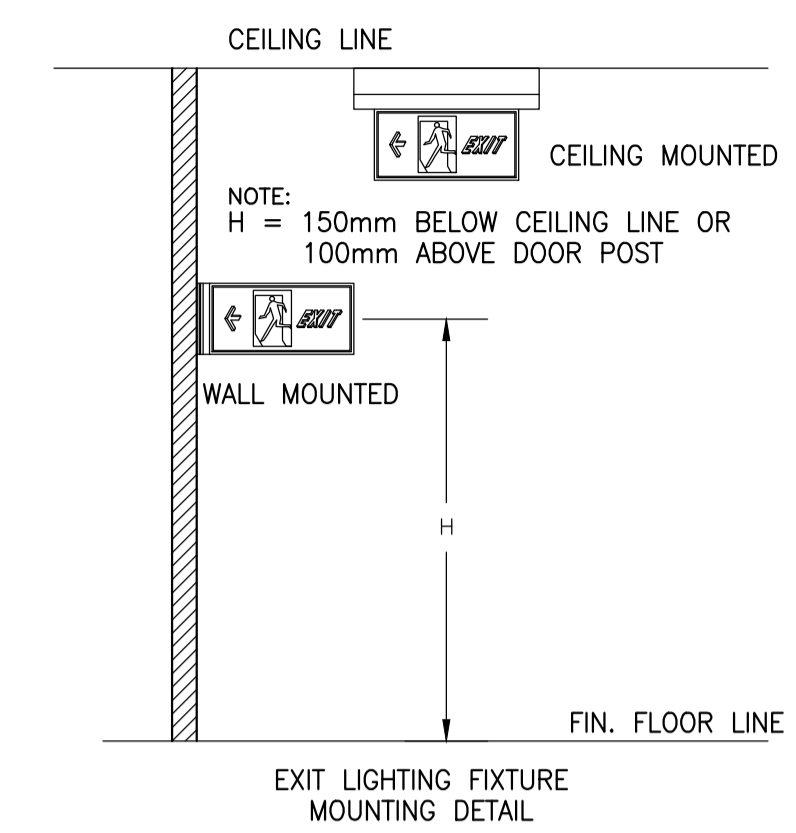
8 LIGHTING SWITCH AND CONV. OUTLET INSTALLATION DETAIL
E-16 SCALE: NTS



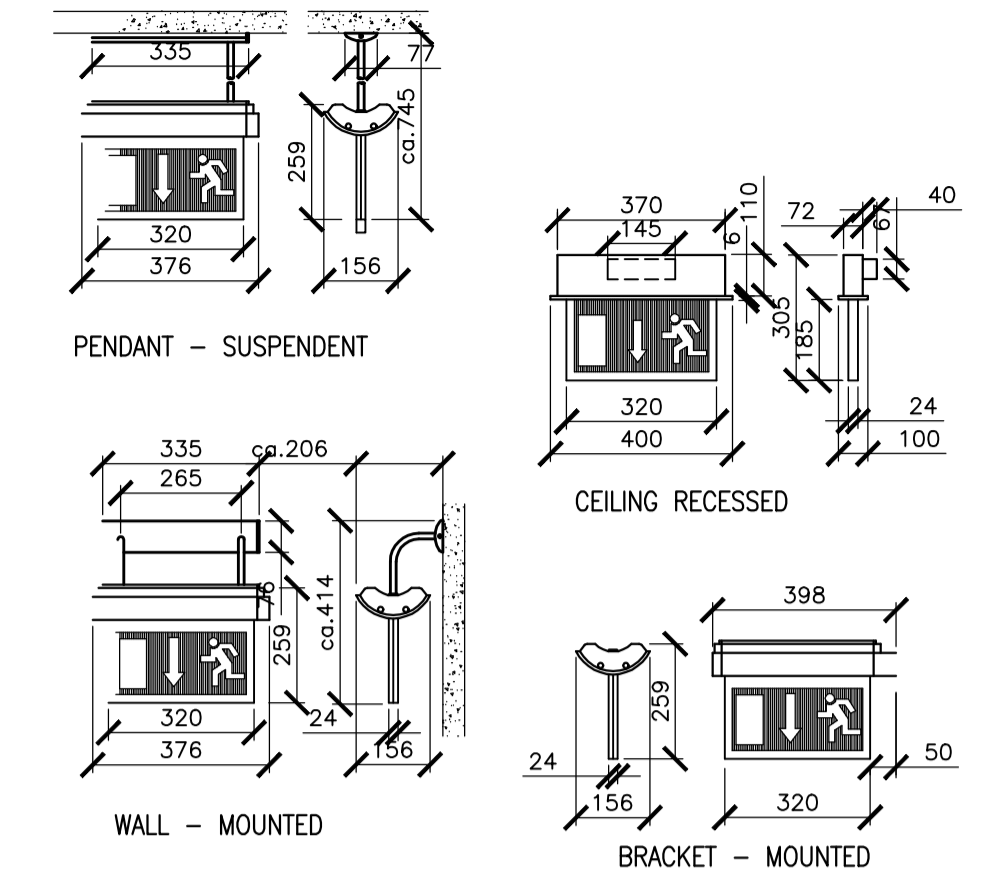
6 MULTIPLE CONDUIT SUPPORT DETAIL
E-16 SCALE: NTS



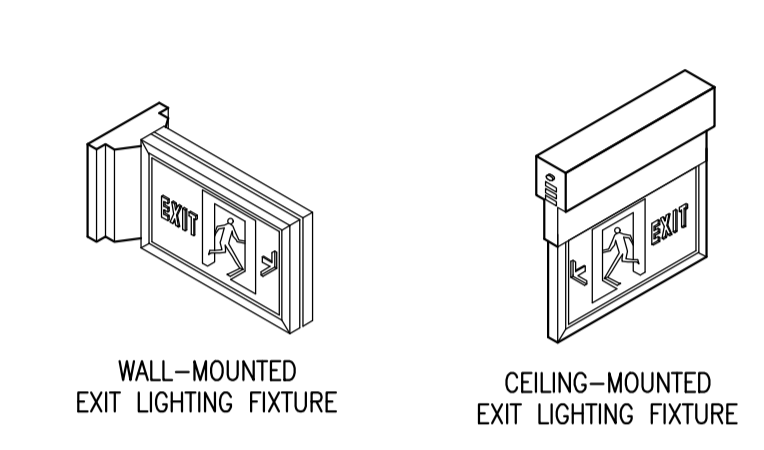
9 CONDUIT RUN FOR LIGHTING DISTRIBUTION IN ONE CIRCUIT (FOE EXPOSED OF INSIDE DROP-CEILING INSTALLATION)
E-16 SCALE: NTS



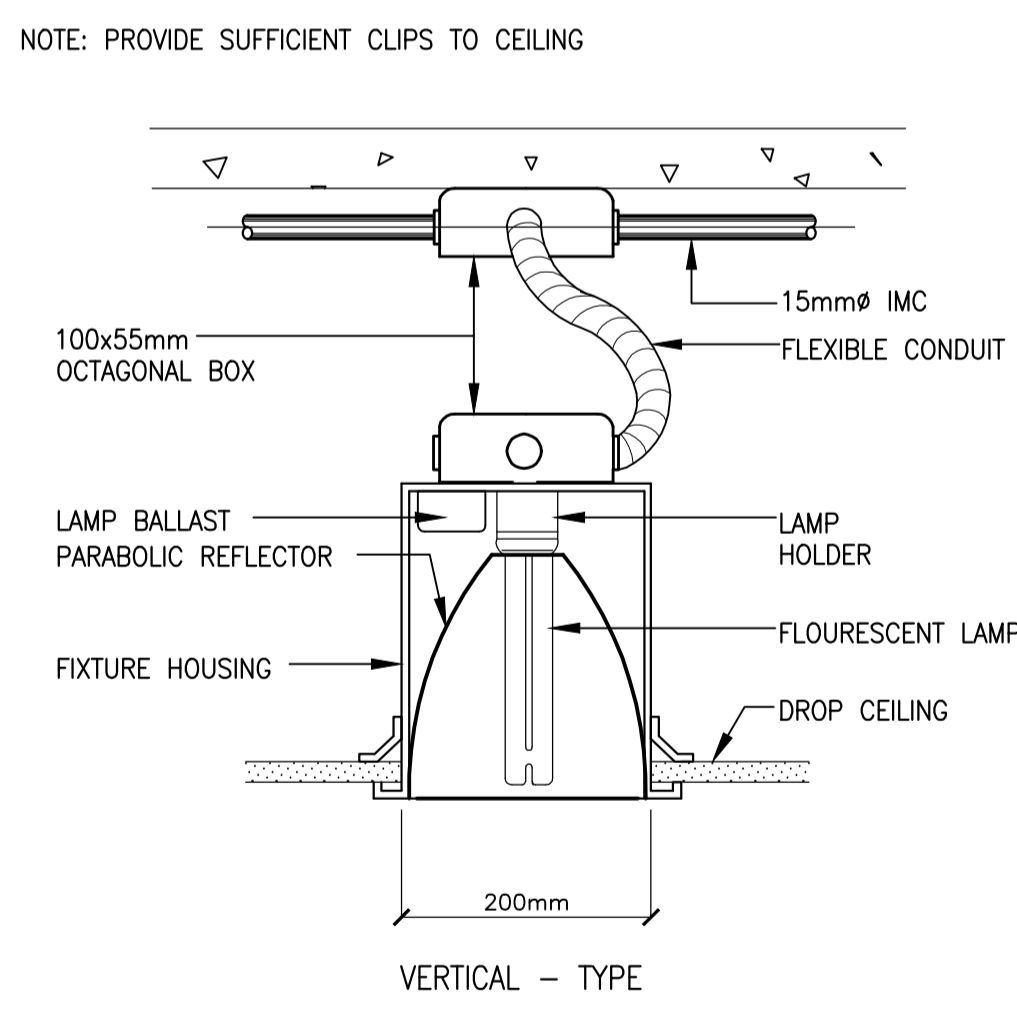
1 EXIT LIGHTING FIXTURE DETAIL
E-16 SCALE: NTS



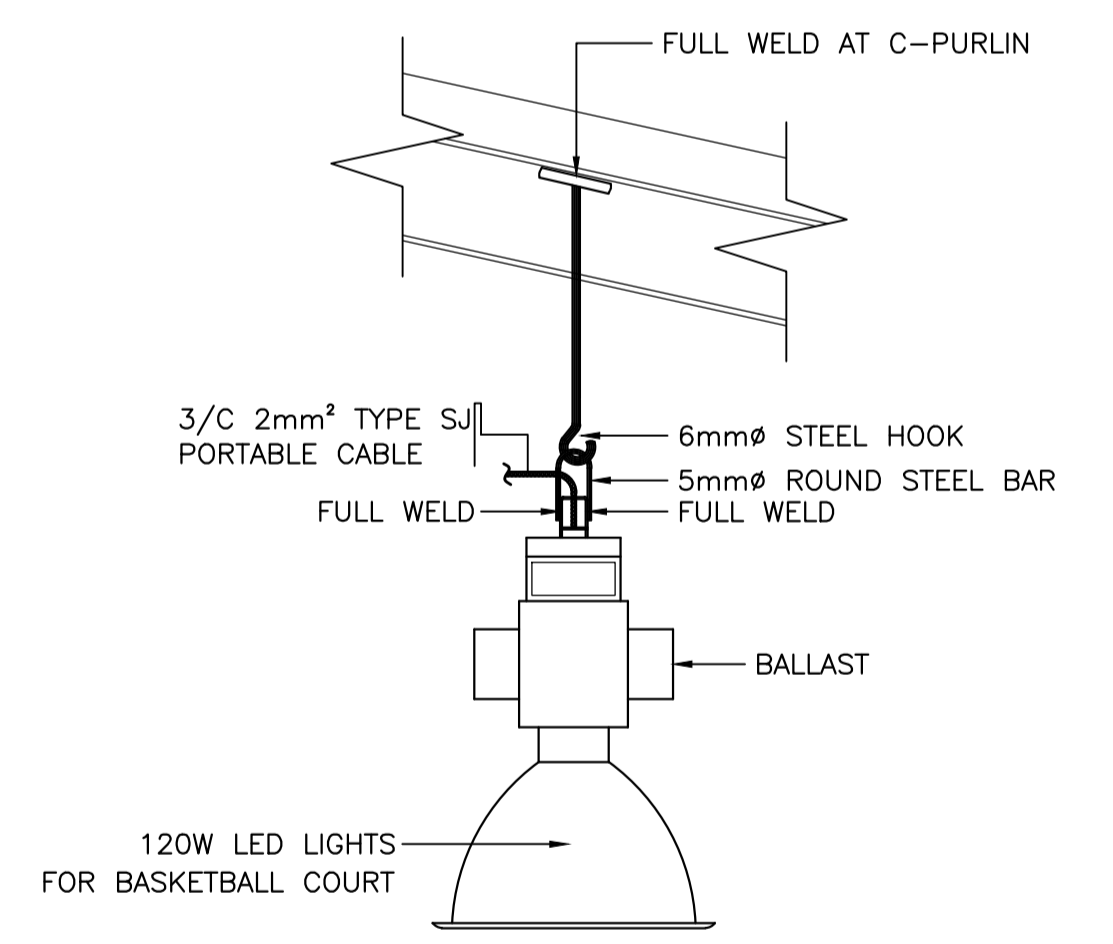
2 EXIT LIGHT MOUNTING DETAIL
E-16 SCALE: NTS



3 LED HIGBAY LIGHTING FIXTURE MOUNTING DETAIL
E-16 SCALE: NTS



10 PINLIGHT MOUNTING DETAIL
E-16 SCALE: NTS



3 LED HIGBAY LIGHTING FIXTURE MOUNTING DETAIL
E-16 SCALE: NTS

ENRIQUE O. OLONAN & ASSOCIATES
ARCHITECTS ENGINEERS CONSULTANTS
IN JOINT VENTURE WITH
ENRIQUE O. OLONAN & ASSOCIATES, CO.
ARCHITECTS ENGINEERS CONSULTANTS

SUITE 305
XAVIERVILLE SQUARE
CONDOMINIUM
NO. 38 XAVIERVILLE
AVENUE, LORON HEIGHTS,
QUEZON CITY, 1108
TEL NOS: 426 7009;
426 3004-04
FAX NOS: 927 0608;
426 7214

DESIGNER:
MANUEL V. PANIS
PROFESSIONAL ELECTRICAL ENGINEER

PRC No. 1210 Validity: 10/13/2023
PTR No. 7731829 Date: 01/04/2021
Place: ANTIPOLLO CITY TIN: 132-466-222

REPUBLIC ACT 9266
DRAWINGS AND SPECIFICATIONS AND OTHER CONTRACT DOCUMENTS DULY SIGNED, STAMPED OR SEALED, AS INSTRUMENTS OF SERVICE, ARE THE INTELLECTUAL PROPERTY AND DOCUMENT OF THE ARCHITECT. WHETHER THE OBJECT FOR WHICH THEY ARE MADE IS EXECUTED OR NOT, IT SHALL BE UNLAWFUL FOR ANY PERSON TO DUPLICATE OR TO MAKE COPIES OF SAID DOCUMENTS FOR USE IN THE REPEITION OF AND FOR OTHER PROJECTS OR BUILDINGS, WHETHER EXECUTED PARTY OR IN WHOLE, WITHOUT THE WRITTEN CONSENT OF ARCHITECT OR AUTHOR OF SAID DOCUMENT.

PROJECT:
PROPOSED ACADEMIC BUILDING II / MULTI-PURPOSE GYMNASIUM

LOCATION: Brgy. Rizal, Odiangan, Romblon

DESIGNED FOR:

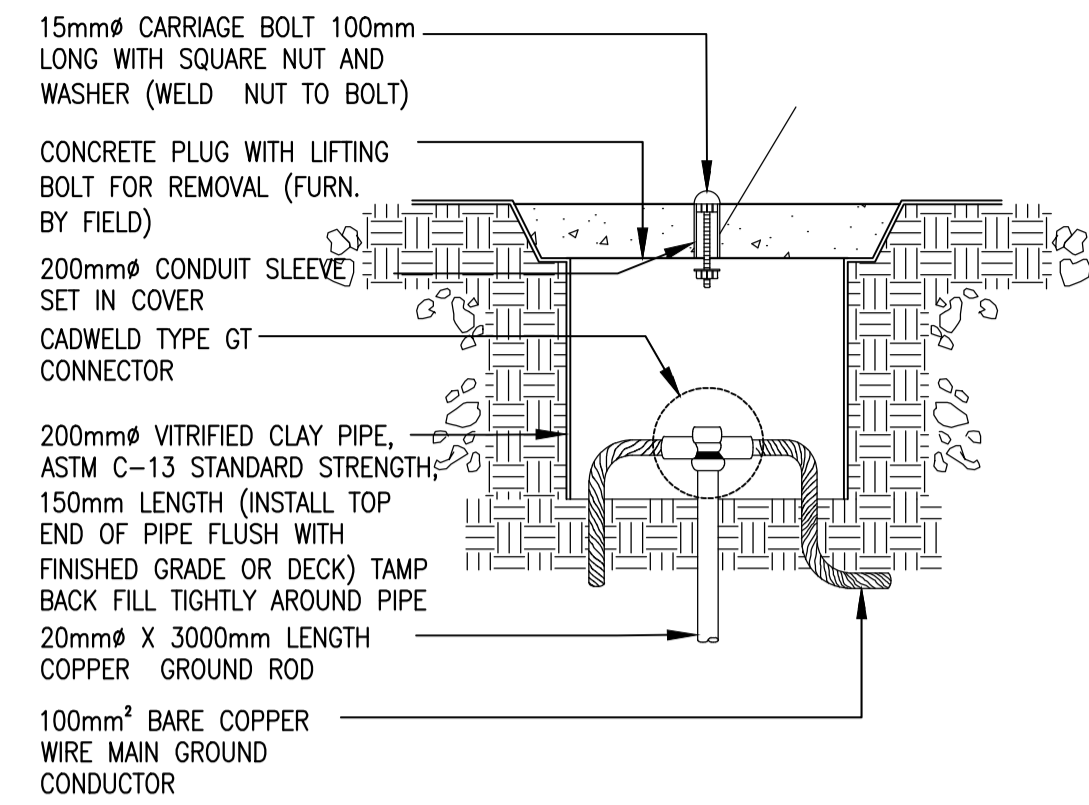
REPUBLIC OF THE PHILIPPINES
PHILIPPINE SCIENCE HIGH SCHOOL -
MIMAROPA REGIONAL CAMPUS

RECOMMENDING APPROVAL:
MERIAM F. FALLAR
FAD CHIEF

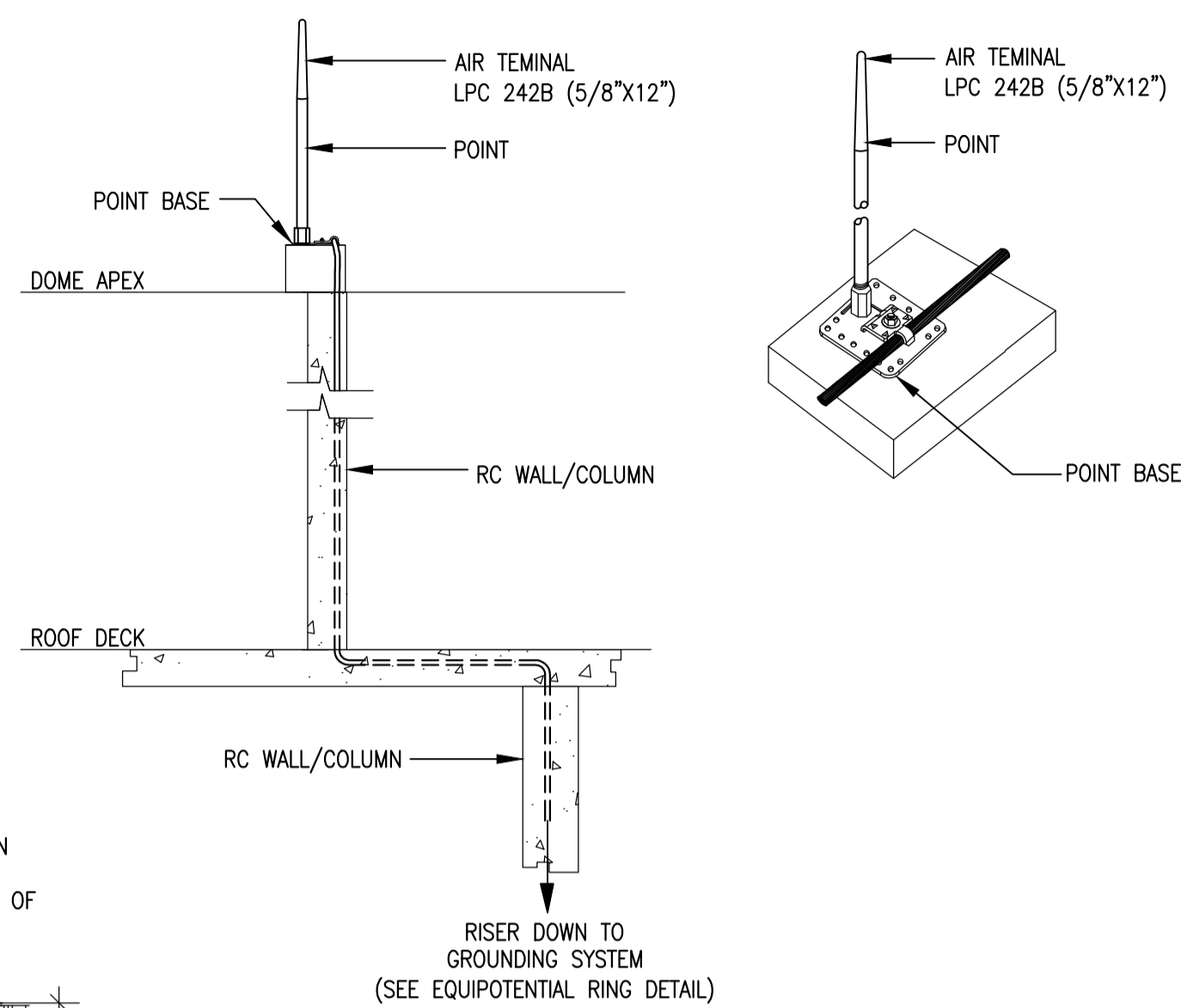
APPROVED BY:
EDWARD C. ALBARACIN
CAMPUS DIRECTOR

SHEET CONTENTS:
ACADEMIC BUILDING II
MISCELLANEOUS DETAILS

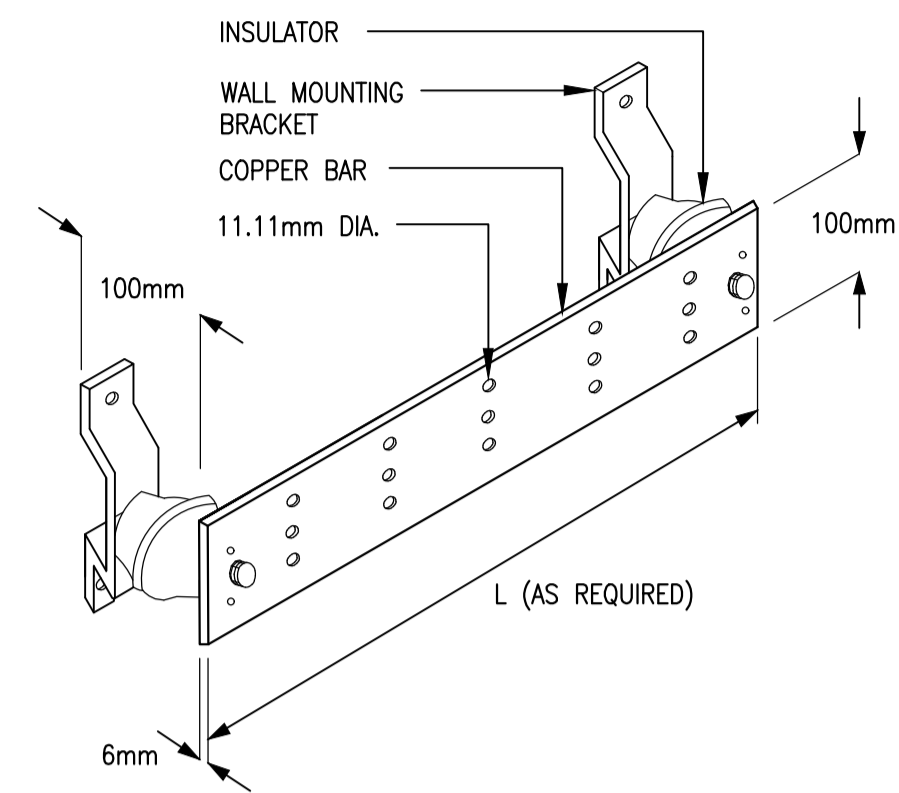
SHEET NO:
E
16 17



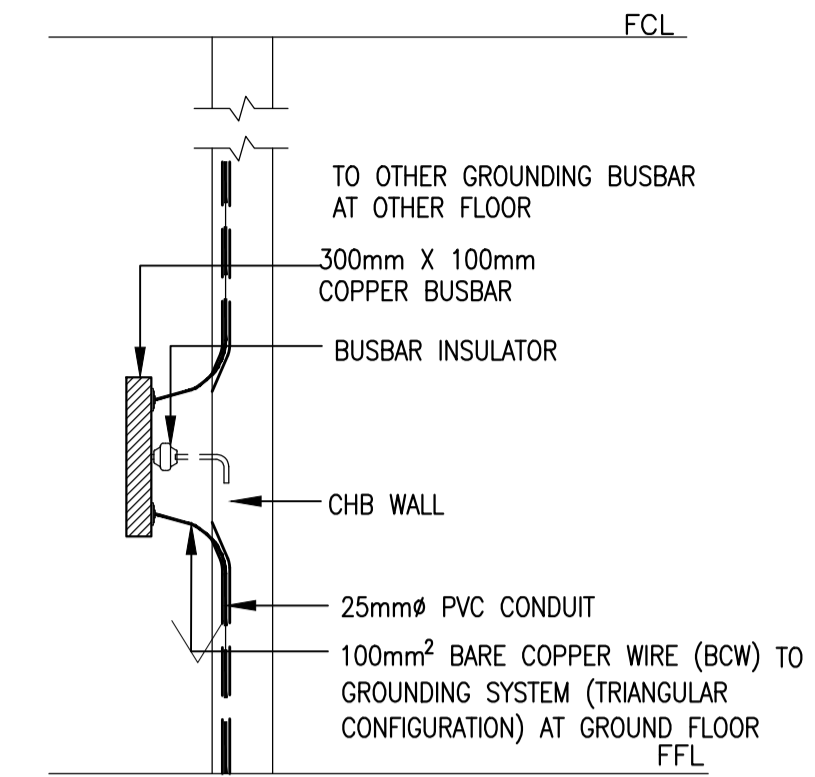
BLOW-UP DETAIL



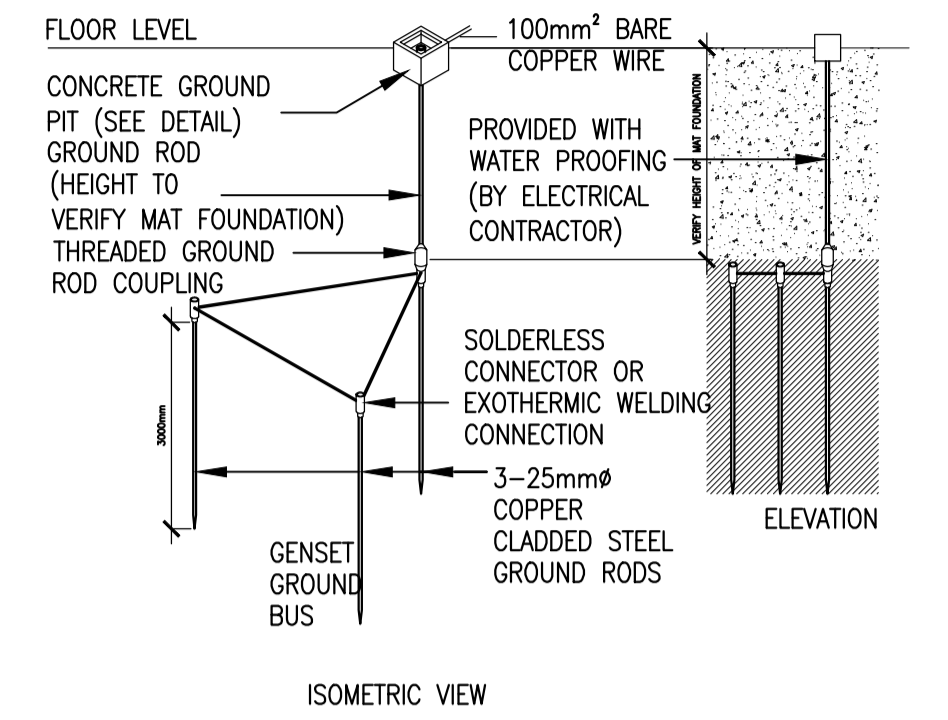
AIR TERMINAL INSTALLATION DETAIL



6 PRE-DRILLED COPPER BUSBAR
 E-17 SCALE: NTS



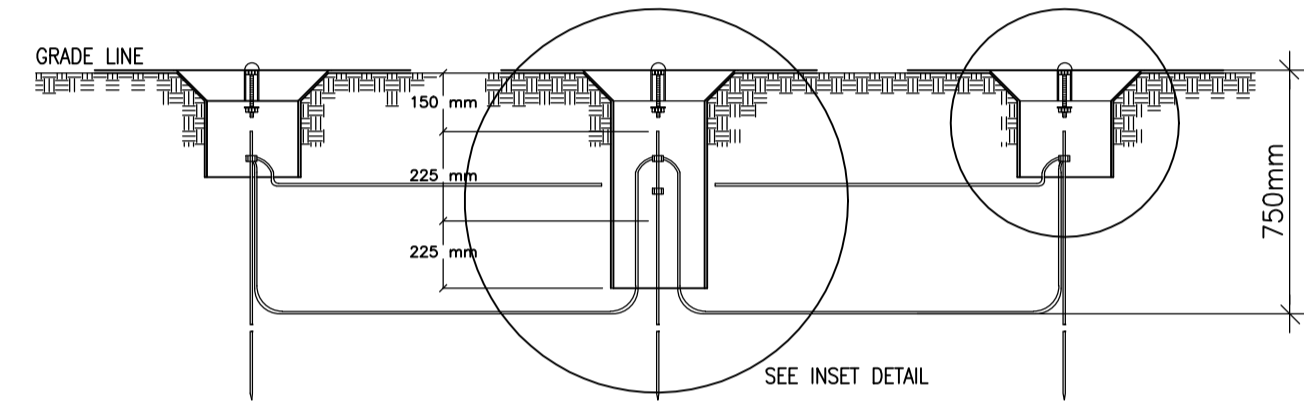
2 MOUNTING DETAIL OF GROUNDING BUSBAR
 E-17 SCALE: NTS



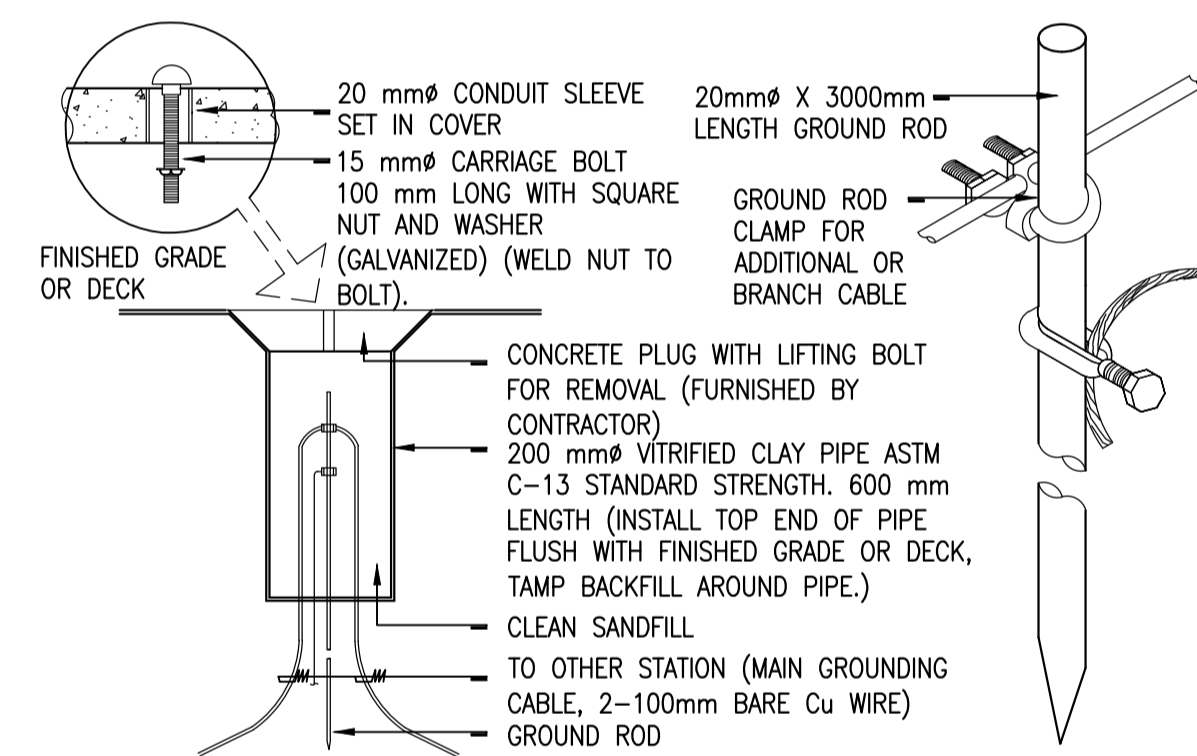
3 DETAILS OF EQUIPOTENTIAL RING
 E-17 SCALE: NTS

GROUND ROD TEST STATION :

ARRANGED IN A TRIANGULAR PATTERN WITH 3000mm SPACING BETWEEN RODS. TWO OF THE RODS IN THIS GROUP SHALL BE 150mm BELOW GRADE WITH CONNECTING MAIN GROUND CONDUCTOR THERMOWELDED OR BRAZED TO THE ROD. ONE ROD INSTALLED AS A TEST STATION FOR THE GROUP OF THREE.

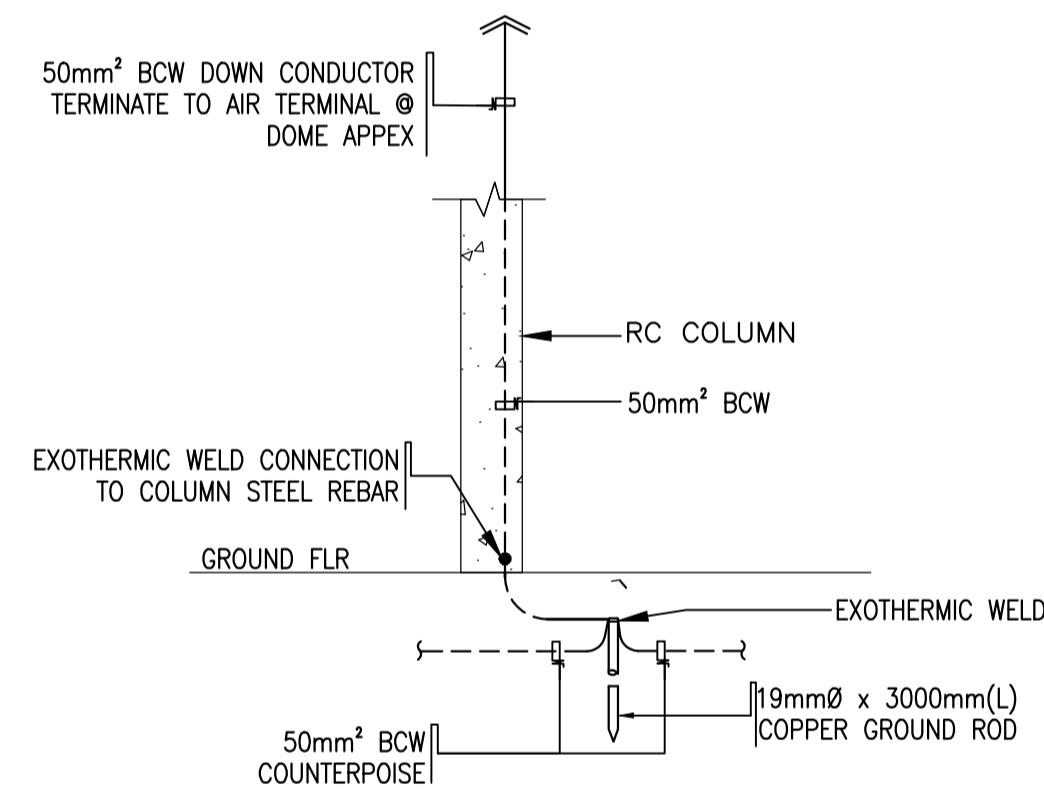


SECTIONAL ELEVATION

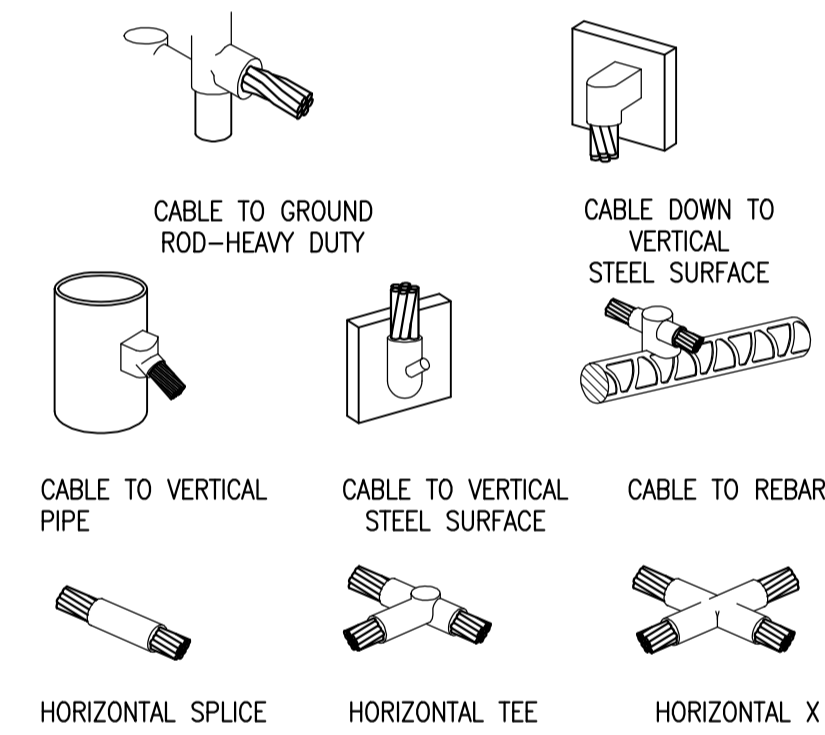


GROUND ROD TEST STATION DETAIL

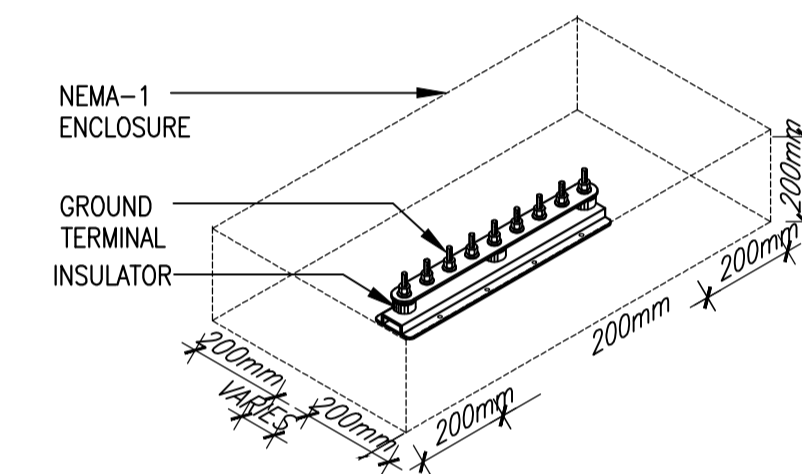
1 GROUNDING AND LIGHTING PROTECTION DETAIL
 E-17 SCALE: NTS



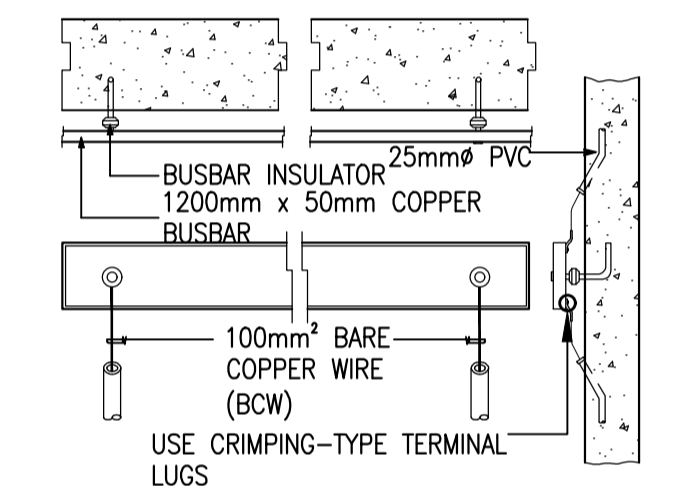
GROUND TERMINAL INSTALLATION DETAIL



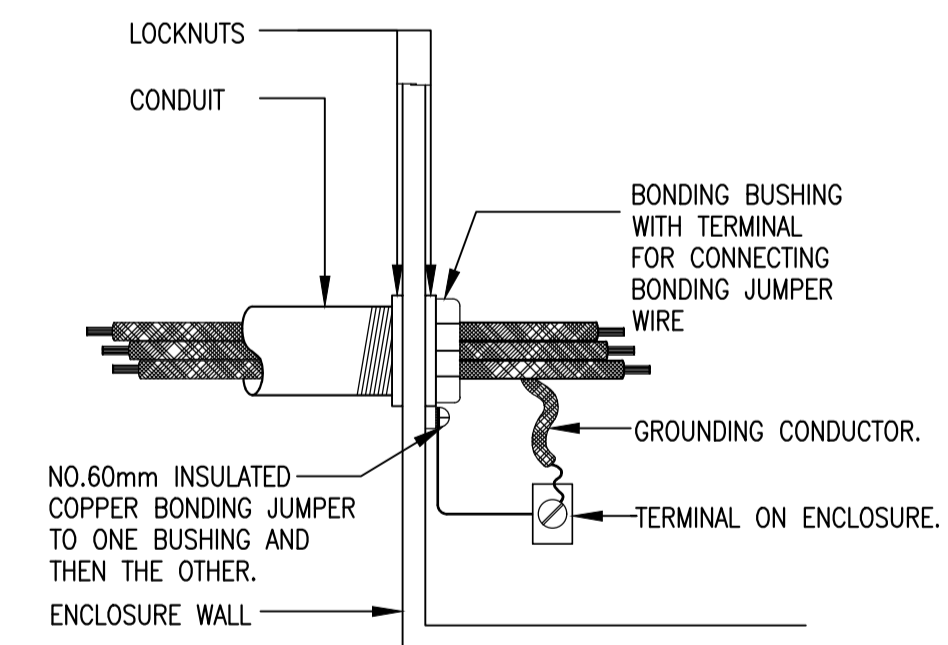
7 TYPICAL EXOTHERMIC CONNECTION (WELD) DETAIL
 E-17 SCALE: NTS



8 TYPICAL GROUND BUSBAR DETAIL
 E-17 SCALE: NTS



5 SERVICE BONDING JUMPER & GROUNDING ENCLOSURE DETAIL
 E-17 SCALE: NTS



NOTE:

BUSHING WITH JUMPER IS ACCEPTABLE BONDING FOR A CLEAN KNOCKOUT OR ONE WITH PUNCH RINGS STILL IN PLACE

4 SERVICE BONDING JUMPER & GROUNDING ENCLOSURE DETAIL
 E-17 SCALE: NTS

GENERAL NOTES: FOR REFERENCE ONLY, EXCLUDED IN PHASE 1

GENERAL NOTES

- ALL ELECTRICAL WORKS HEREIN SHALL BE DONE IN ACCORDANCE WITH THE PROVISIONS OF THE LATEST EDITION OF THE PHILIPPINE ELECTRICAL CODE, THE RULES, REGULATIONS AND REQUIREMENTS OF THE DISTRIBUTION UTILITY AND/OR THE LAWS AND ORDINANCES OF THE LOCAL CODE ENFORCING AUTHORITY.
- PRIMARY ELECTRIC SERVICE SHALL BE 13.2KV 3Ø, 3-WIRE, 60HZ
- SECONDARY ELECTRICAL SYSTEM SHALL BE 230V 3-WIRE + GROUND, 3Ø, 60HZ
- WIRE COLOR CODING SHALL BE AS FOLLOWS:
 - = PHASE CONDUCTORS - (R,Y,B) RED, YELLOW, and BLUE FOR LINES 1, 2 AND 3 RESPECTIVELY.
 - = NEUTRAL - WHITE
 - = GROUND - GREEN
- METHOD OF WIRING SHALL BE AS FOLLOWS; UNLESS OTHERWISE SPECIFIED IN AND DATA LINES WHICH SHALL BE IMC.
 - EMBEDDED IN CONCRETE = USE PVC SCH.40 CONDUIT EXCEPT COMMUNICATION AND DATA LINES WHICH SHALL BE IMC.
 - NOT EMBEDDED IN CONCRETE :
 - = USE EMT CONDUITS WITH SIZE NOT LARGER THAN 25mm DIAMETER.
 - = USE IMC WITH SIZE LARGER THAN 25mm DIAMETER.
 - = USE METALLIC WIREWAY WHERE INDICATED IN DRAWINGS.
- USE SHORT LENGTH FLEXIBLE METALLIC CONDUIT FOR CONDUIT TERMINATION TO EQUIPMENT SUBJECT TO VIBRATION.
- MINIMUM SIZE OF CONDUIT SHALL BE 13mm NOMINAL DIAMETER "USE UL Listed EMT AND IMC CONDUITS AND FITTINGS". CONDUIT SIZE IS BASED ON INTERNAL DIAMETER
- MINIMUM SIZE OF WIRES SHALL BE 2.0mm THHN/THWN-2. UNLESS OTHERWISE SPECIFIED IN DRAWING.
- ALL MATERIALS SHALL BE BRAND NEW AND OF SUITABLE AND APPROVED TYPE FOR LOCATION AND PURPOSE.
- ALL 20 AMPERE CIRCUIT HOMERUNS TO PANELBOARD MORE THAN 230 METERS IN LENGTH SHALL BE 5.5mm MINIMUM, UNLESS OTHERWISE NOTED.
- STANDARD TYPE OF ACCESSORIES, SPlicing DEVICES, TERMINATION AND OTHER APPURTENANCES FOR THE ENTIRE ELECTRICAL INSTALLATION SHALL BE USED.
- ALL NON-CURRENT CARRYING METAL PARTS OF ELECTRICAL EQUIPMENTS SHALL BE EFFECTIVELY GROUNDING.
- WHENEVER NECESSARY, PULL BOX SHALL BE PROVIDED EVEN IF NOT INDICATED IN THE PLANS.
- ALL DIMENSIONS SHOWN ON THE PLANS ARE APPROXIMATE AND SHALL BE VERIFIED AS ACTUAL LOCATIONS, DISTANCES, AND LEVELS ARE GOVERNED BY FIELD CONDITIONS.
- MINIMUM GROUNDING RESISTANCE SHALL BE 5 OHMS.
- WIRE GUTTERS SHALL BE SIZED NOT TO EXCEED TEN (10) PERCENT CONDUCTOR FILL.
- WIRE GUTTERS SHALL NOT CONTAIN MORE THAN 20 CONDUCTORS AT ANY CROSS SECTION.
- MAXIMUM SPACING BETWEEN CONDUIT SUPPORTS SHALL BE 1500mm AND 300mm BETWEEN SUPPORT AND FITTINGS OR BOXES.
- PANEL BOARDS, BOXES AND CABINETS SHALL BE EFFECTIVELY GROUNDING. WHERE NON METALLIC RACEWAYS ARE USED GROUNDING TERMINALS SHALL BE PROVIDED TOGETHER WITH GROUNDING CONDUCTORS, THIS HOWEVER SHALL BE SUBJECT TO THE APPROVAL OF DESIGNER.
- COPPER BUS BARS SHALL BE SIZED IN ACCORDANCE WITH THE CODE REQUIREMENT OF 1.55 AMPERE PER ONE(1) SQUARE MILLIMETER OF CROSS SECTION.
- ALL WORKS SHALL BE DONE IN A NEAT AND WORKMAN LIKE MANNER.
- ALL UTILITY AND JUNCTION BOXES SHALL BE GAUGE 16 DEEP TYPE. CONCENTRIC KNOCK OUTS SHALL NOT BE ALLOWED.
- CONDUIT BODIES, JUNCTIONS, PULL AND OUTLETS/BOXES SHALL BE INSTALLED SO THAT THE WIRING CONTAINED IN THEM CAN BE RENDERED ACCESSIBLE WITHOUT REMOVING ANY PART OF THE BUILDING OR IN UNDERGROUND CIRCUITS, WITHOUT EXCAVATING SIDEWALKS, PAVING EARTH OR OTHER SUBSTANCE THAT IS TO BE USED TO ESTABLISH THE FINISHED GRADE.
- METAL BOXES, CONDUIT BODIES AND FITTINGS SHALL BE CORROSION RESISTANT OR SHALL BE WELL GALVANIZED, ENAMELED OR OTHERWISE PROPERLY BE PROVIDED IN ACCORDANCE WITH THE REQUIREMENTS OF SECTION 3.70.2.1.14(a) COATED INSIDE AND OUT TO PREVENT CORROSION.
- SHEET METAL AUXILIARY GUTTERS SHALL BE SUPPORTED THROUGHOUT THEIR ENTIRE LENGTH AT INTERVALS NOT EXCEEDING 1000 MM.
- BONDING JUMPERS SHALL BE USED TO CONNECT SECTIONS OF CABLES TRAYS AND WIRE WAYS TO ENSURE CONTINUITY OF GROUNDING.
- RUNNING THREADS SHALL NOT BE USED ON CONDUITS FOR CONNECTION AT COUPLINGS.
- CONDUIT BENDS SHALL BE MADE IN SUCH A WAY THAT THE INTERNAL DIAMETER WILL NOT BE EFFECTIVELY REDUCED.
- WHERE CONDUITS ENTER A BOX, FITTING OR OTHER ENCLOSURE, BUSHINGS SHALL BE PROVIDED TO PROTECT THE WIRE FROM ABRASION.
- ALL WIRES AND CIRCUIT BREAKERS SHALL BE LOADED NOT MORE THAN EIGHTY PERCENT (80%) OF RATED CAPACITY.
- PROVIDE ALL THE NECESSARY SUPPORTS, FITTINGS,ETC. FOR A COMPLETE INSTALLATION. (SUBMIT SHOP DRAWING TO BE APPROVED BEFORE ANY INSTALLATION.
- NO PIPE OR DUCT SYSTEM FOREIGN TO THE ELECTRICAL INSTALLATION SHALL ENTER OR PASS THRU ANY ELECTRICAL ROOM.
- ALL WORKS SHALL BE DONE UNDER THE SUPERVISION OF A DULY LICENSED ELECTRICAL ENGINEER.
- REFER TO TECHNICAL SPECIFICATIONS.

DRAWING INDEX

| | |
|------|--|
| E-01 | DRAWING INDEX, GENERAL NOTES, LEGEND AND SYMBOL, VICINITY PLAN, ABBREVIATION |
| E-02 | SINGLE LINE DIAGRAM |
| E-03 | ELECTRICAL SITE DEVELOPMENT |
| E-04 | BASEMENT LIGHTING LAYOUT GROUND FLOOR LIGHTING LAYOUT |
| E-05 | SECOND FLOOR LIGHTING LAYOUT THIRD FLOOR LIGHTING LAYOUT |
| E-06 | ROOF DECK LIGHTING LAYOUT TYPICAL LIGHTING INSTALLATION DETAIL |
| E-07 | BASEMENT POWER LAYOUT GROUND FLOOR POWER LAYOUT |
| E-08 | SECOND FLOOR POWER LAYOUT THIRD FLOOR POWER LAYOUT |
| E-09 | ROOF DECK POWER LAYOUT BASEMENT MECHANICAL EQUIPMENT AND SIGNAGES POWER LAYOUT |
| E-10 | GROUND FLOOR MECHANICAL EQUIPMENT AND SIGNAGES POWER LAYOUT SECOND FLOOR MECHANICAL EQUIPMENT AND SIGNAGES POWER LAYOUT |
| E-11 | THIRD FLOOR MECHANICAL EQUIPMENT AND SIGNAGES POWER LAYOUT ROOF DECK MECHANICAL EQUIPMENT POWER LAYOUT |
| E-12 | BASEMENT FLOOR GROUNDING SYSTEM LAYOUT ROOF DECK LIGHTNING PROTECTION SYSTEM LAYOUT |
| E-13 | LOAD SCHEDULE |
| E-14 | LOAD SCHEDULE ELECTRICAL LOAD CALCULATIONS |
| E-15 | SHORT CIRCUIT CALCULATIONS VOLTAGE DROP CALCULATIONS |
| E-16 | MISCELLANEOUS DETAILS |
| E-17 | MISCELLANEOUS DETAILS |

POWER LEGEND

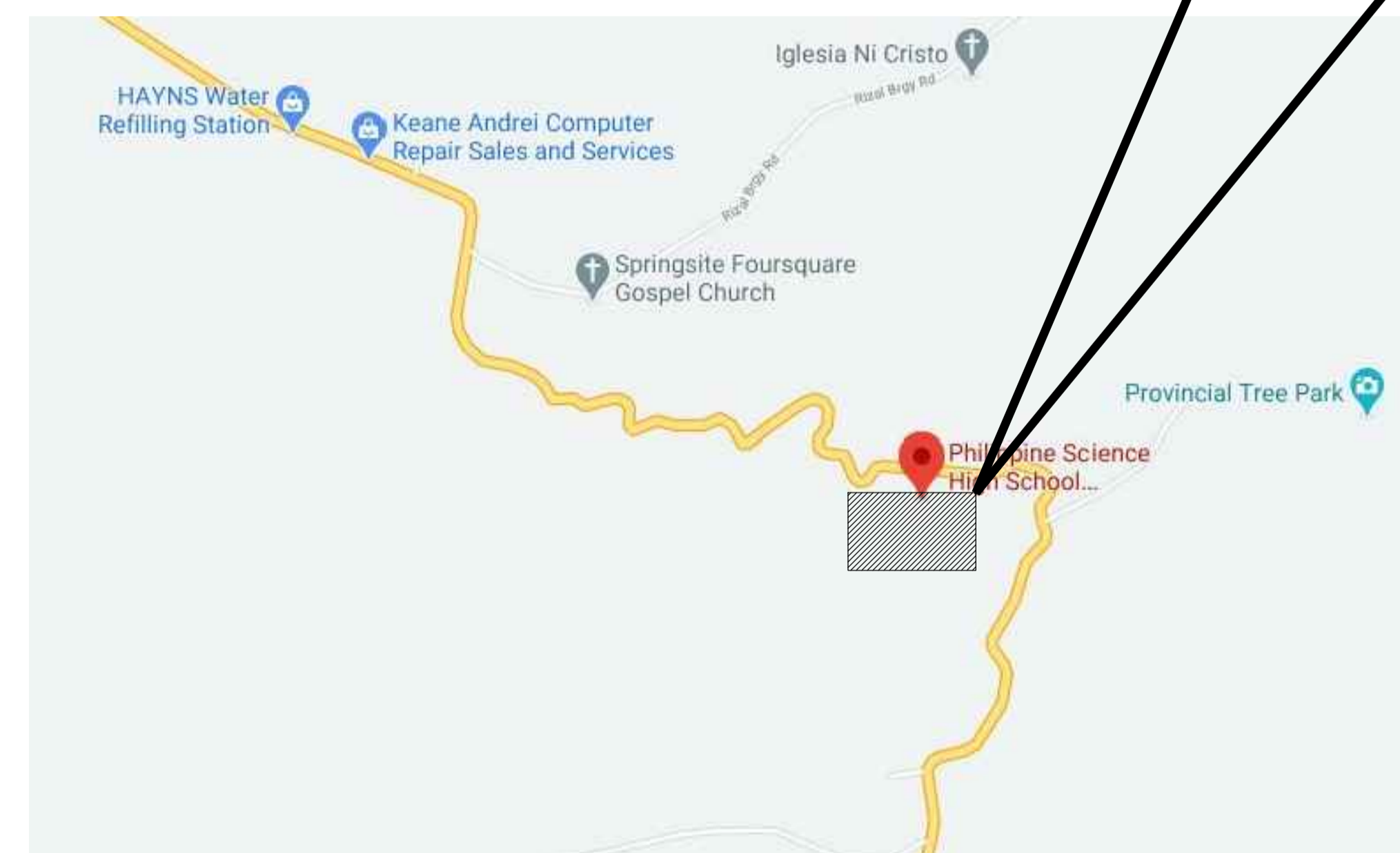
| | |
|--|---|
| | DUPLIX RECEPTACLE, 16A, 250V, PARALLEL BLADE GROUNDING SLOT |
| | GROUND-FAULT CIRCUIT INTERRUPTER, DUPLIX RECEPTACLE, 16A, 250V, PARALLEL BLADE GROUNDING SLOT |
| | WEATHERPROOF, DUPLIX RECEPTACLE, 16A, 250V, PARALLEL BLADE GROUNDING SLOT |
| | TAMPER-RESISTANT, DUPLIX RECEPTACLE, 16A, 250V, PARALLEL BLADE GROUNDING SLOT |
| | HAND DRYER OUTLET, SIMPLEX RECEPTACLE, 16A, 250V, PARALLEL BLADE GROUNDING SLOT |
| | REF OUTLET, SIMPLEX RECEPTACLE, 16A, 250V, PARALLEL BLADE GROUNDING SLOT |
| | WATERPROOF FLOOR OUTLET, DUPLIX RECEPTACLE, 16A, 250V, PARALLEL BLADE GROUNDING SLOT |
| | SQUARE BOX / JUNCTION BOX |
| | PULLBOX |
| | PANELBOARD |
| | MOLDED CASE CIRCUIT BREAKER |
| | ENCLOSED CIRCUIT BREAKER |
| | MOTOR CONTROLLER |
| | KILOWATT-HOUR METER |
| | ELECTRIC MOTOR |
| | CIRCUIT HOMERUN |
| | CONDUIT EMBEDDED IN CONCRETE |
| | CONDUIT IN EXPOSED INSTALLATION OR ABOVE CEILING |
| | CONDUIT IN UNDERGROUND INSTALLATION |
| | AIR CIRCUIT BREAKER, DRAW-OUT TYPE |
| | VACUUM CIRCUIT BREAKER, ABOVE 600V |
| | TRANSIENT VOLTAGE SURGE SUPPRESSOR (TVSS) |
| | TRANSFORMER, DELTA-WYE CONNECTION |
| | GENERATOR SET |

| ABBREVIATION | | | |
|--------------|----------------------------------|------|---|
| AMPS | AMPERES | LBS | LOAD BREAK SWITCH |
| AT | AMPERE TRIP | LC | LIGHTING CONTACTOR |
| AF | AMPERE FRAME | MC | METER CENTER |
| CB | CIRCUIT BREAKER | MDB | MAIN DISTRIBUTION BOARD |
| CT | COUNTER TOP | MSG | MAIN SWITCH GEAR |
| DIA. | DIAMETER | MVA | MEGAVOLT-AMPERE |
| DS | DISCONNECT SWITCH | NC | NORMALLY CLOSED |
| FH | FUME HOOD | NO | NORMALLY OPEN |
| FT | FLY TRAP | PB | PULLBOX |
| GSG | GENERATOR SWITCH GEAR | PCB | POWER CIRCUIT BREAKER |
| GFCI | GROUND-FAULT CIRCUIT INTERRUPTER | PF | POWER FUSE |
| KAIC | KILOAMPERE INTERRUPTING CAPACITY | RH | RANGE HOOD |
| KV | KILOVOLT | S.E. | SERVICE ENTRANCE |
| KVA | KILOVOLT-AMPERE | TR | TRANSFORMER |
| KW | KILOWATT | TVSS | TRANSIENT VOLTAGE SURGE SUPPRESSOR |
| KWH | KILOWATT-HOUR | WP | WEATHERPROOF |
| LA | LIGHTNING ARRESTER | PQM | POWER QUALITY METER |
| GSB | GENSET SWITCH BOARD | LSIG | LONG-TIME, SHORT-TIME, INSTANTANEOUS AND GROUND-FAULT RELAY |
| LVSG | LOW VOLTAGE SWITCHGEAR | ACB | AIR CIRCUIT BREAKER |
| CT's | CURRENT TRANSFORMER | NFDS | NON-FUSIBLE DISCONNECT SWITCH |
| PT's | POTENTIAL TRANSFORMER | MCCB | MOLDED-CASE CIRCUIT BREAKER |
| M/E | MECHANICAL/ELECTRICAL INTERLOCK | | |

1 LEGENDS AND SYMBOLS
E-01 SCALE: NTS

2 ABBREVIATION
E-01 SCALE: NTS

SITE

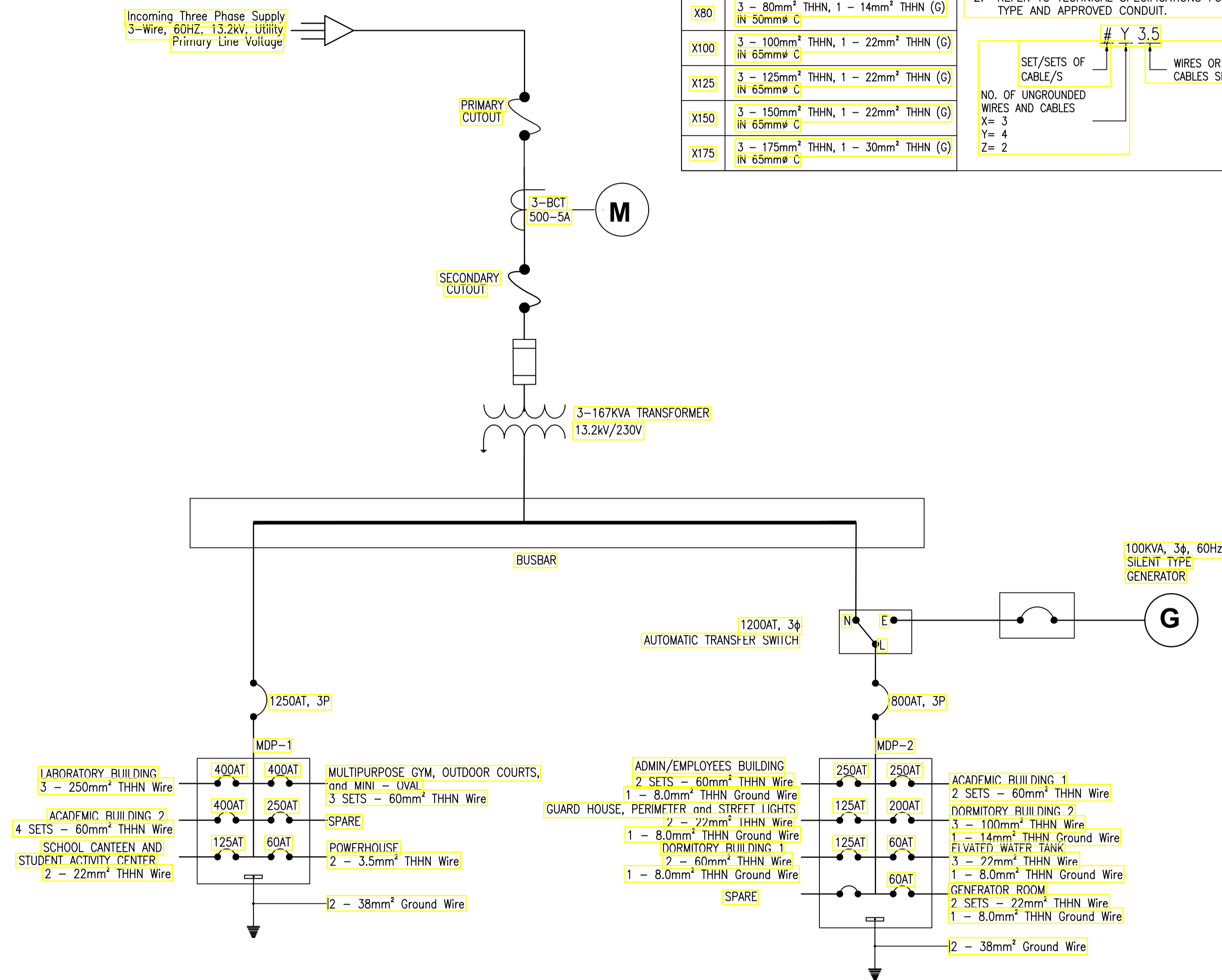


3 VICINITY PLAN
E-01 SCALE: NTS

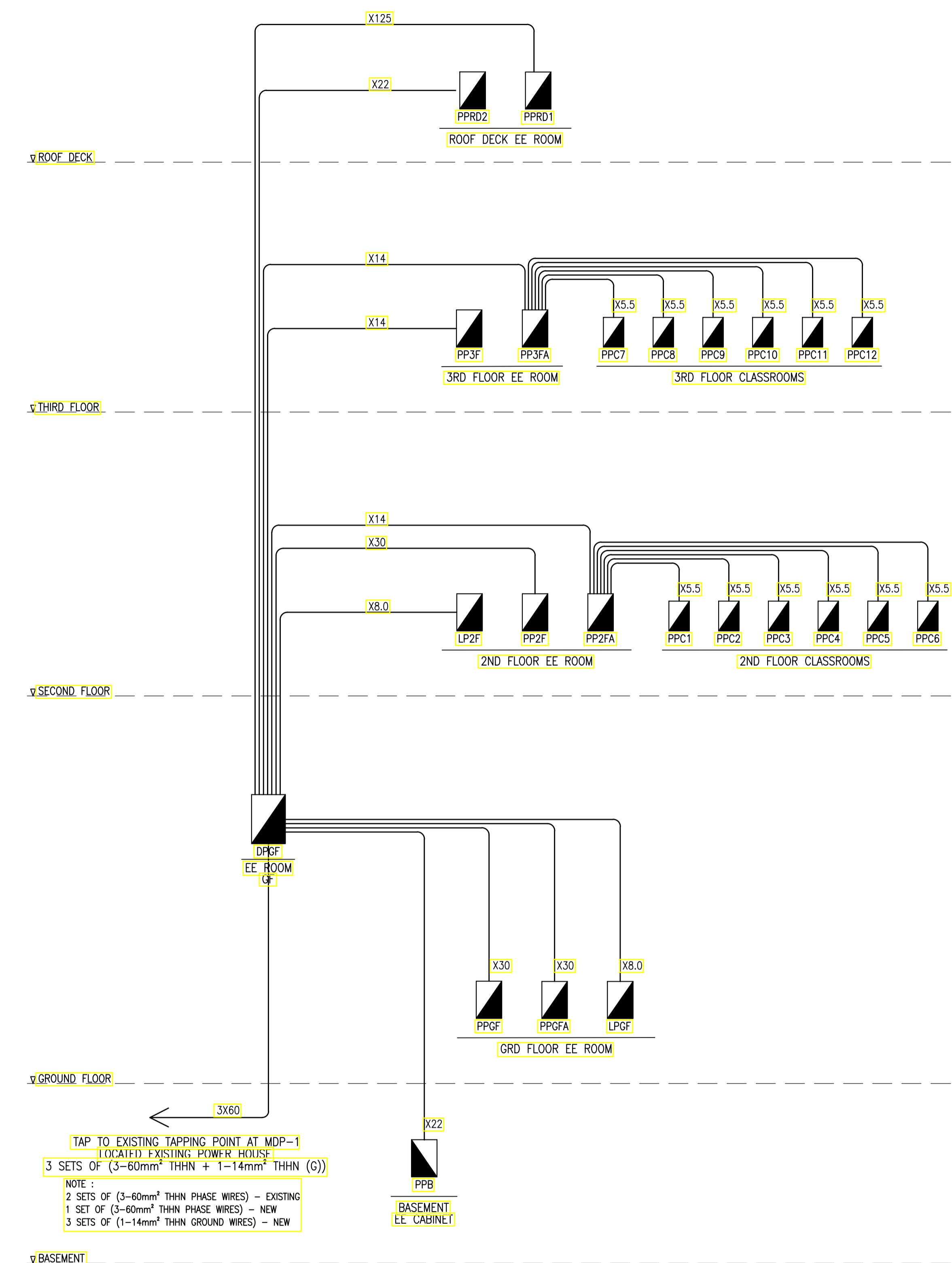
| | | | | | | | | |
|--|--|---|--|---|--|---|---|-------------------------------|
| <p>ENRIQUE O. OLANON & ASSOCIATES ARCHITECTS ENGINEERS CONSULTANTS</p> <p><i>IN JOINT VENTURE WITH</i></p> <p>ENRIQUE O. OLANON & ASSOCIATES, CO. ARCHITECTS ENGINEERS CONSULTANTS</p> | DESIGNER: MANUEL V. PANIS PROFESSIONAL ELECTRICAL ENGINEER PRC No. 1210 Validity: 10/13/2023 PTR No. 7731829 Date: 01/04/2021 Place: ANTIPOLLO CITY TIN: 132-466-222 | REPUBLIC ACT 9266 DRAWINGS AND SPECIFICATIONS AND OTHER CONTRACT DOCUMENTS DULY SIGNED, STAMPED OR SEALED, AS INSTRUMENTS OF SERVICE, ARE THE INTELLECTUAL PROPERTY AND DOCUMENT OF THE ARCHITECT. WHETHER THE OBJECT FOR WHICH THEY ARE MADE IS EXECUTED OR NOT, IT SHALL BE UNLAWFUL FOR ANY PERSON TO DUPLICATE OR TO MAKE COPIES OF SAID DOCUMENTS FOR USE IN THE REPRODUCTION OF AND FOR OTHER PROJECTS OR BUILDINGS, WHETHER EXECUTED PARTLY OR IN WHOLE, WITHOUT THE WRITTEN CONSENT OF ARCHITECT OR AUTHOR OF SAID DOCUMENT. | PROJECT: PROPOSED ACADEMIC BUILDING II / MULTI-PURPOSE GYMNASIUM LOCATION: Brgy. Rizal, Odiangan, Romblon | DESIGNED FOR: REPUBLIC OF THE PHILIPPINES PHILIPPINE SCIENCE HIGH SCHOOL - MIMAROPA REGIONAL CAMPUS | RECOMMENDING APPROVAL: MERIAM F. FALLAR FAD CHIEF | APPROVED BY: EDWARD C. ALBARACIN CAMPUS DIRECTOR | SHEET CONTENTS: DRAWING INDEX, GENERAL NOTES, LEGEND AND SYMBOL, ABBREVIATION, VICINITY PLAN | SHEET NO: E 1 17 |
|--|--|---|--|---|--|---|---|-------------------------------|

GENERAL NOTES: FOR REFERENCE ONLY, EXCLUDED IN PHASE 1

| SYMBOL | SIZES OF WIRES & CONDUIT | SYMBOL | SIZES OF WIRES & CONDUIT |
|--------|---|---|---|
| X3.5 | 3 - 3.5mm ² THHN, 1 - 3.5mm ² THHN (G) IN 20mm \varnothing C | X200 | 3 - 200mm ² THHN, 1 - 30mm ² THHN (G) IN 90mm \varnothing C |
| X5.5 | 3 - 5.5mm ² THHN, 1 - 5.5mm ² THHN (G) IN 20mm \varnothing C | X250 | 3 - 250mm ² THHN, 1 - 30mm ² THHN (G) IN 90mm \varnothing C |
| X8.0 | 3 - 8.0mm ² THHN, 1 - 5.5mm ² THHN (G) IN 25mm \varnothing C | 2X125 | 2 SETS (3 - 125mm ² THHN, 1 - 22mm ² THHN (G)) IN 2x65mm \varnothing C |
| X14 | 3 - 14mm ² THHN, 1 - 5.5mm ² THHN (G) IN 32mm \varnothing C | 2X150 | 2 SETS (3 - 150mm ² THHN, 1 - 22mm ² THHN (G)) IN 2x65mm \varnothing C |
| X22 | 3 - 22mm ² THHN, 1 - 8.0mm ² THHN (G) IN 32mm \varnothing C | 2X175 | 2 SETS (3 - 175mm ² THHN, 1 - 30mm ² THHN (G)) IN 2x65mm \varnothing C |
| X30 | 3 - 30mm ² THHN, 1 - 8.0mm ² THHN (G) IN 40mm \varnothing C | 2X200 | 2 SETS (3 - 200mm ² THHN, 1 - 30mm ² THHN (G)) IN 2x90mm \varnothing C |
| X38 | 3 - 38mm ² THHN, 1 - 14mm ² THHN (G) IN 40mm \varnothing C | 2X250 | 2 SETS (3 - 250mm ² THHN, 1 - 30mm ² THHN (G)) IN 2x90mm \varnothing C |
| X50 | 3 - 50mm ² THHN, 1 - 14mm ² THHN (G) IN 50mm \varnothing C | NOTES: 1. REFER TO DRAWING INDEX FOR METHODS OF WIRING FOR TYPE OF CONDUIT. 2. REFER TO TECHNICAL SPECIFICATIONS FOR TYPE AND APPROVED CONDUIT. SET/SETS OF CABLE/S # Y 3.5 WIRES OR CABLES SIZE NO. OF UNGROUNDED WIRES AND CABLES X= 3 Y= 4 Z= 2 | |
| X60 | 3 - 60mm ² THHN, 1 - 14mm ² THHN (G) IN 50mm \varnothing C | | |
| X80 | 3 - 80mm ² THHN, 1 - 14mm ² THHN (G) IN 50mm \varnothing C | | |
| X100 | 3 - 100mm ² THHN, 1 - 22mm ² THHN (G) IN 65mm \varnothing C | | |
| X125 | 3 - 125mm ² THHN, 1 - 22mm ² THHN (G) IN 65mm \varnothing C | | |
| X150 | 3 - 150mm ² THHN, 1 - 22mm ² THHN (G) IN 65mm \varnothing C | | |
| X175 | 3 - 175mm ² THHN, 1 - 30mm ² THHN (G) IN 65mm \varnothing C | | |

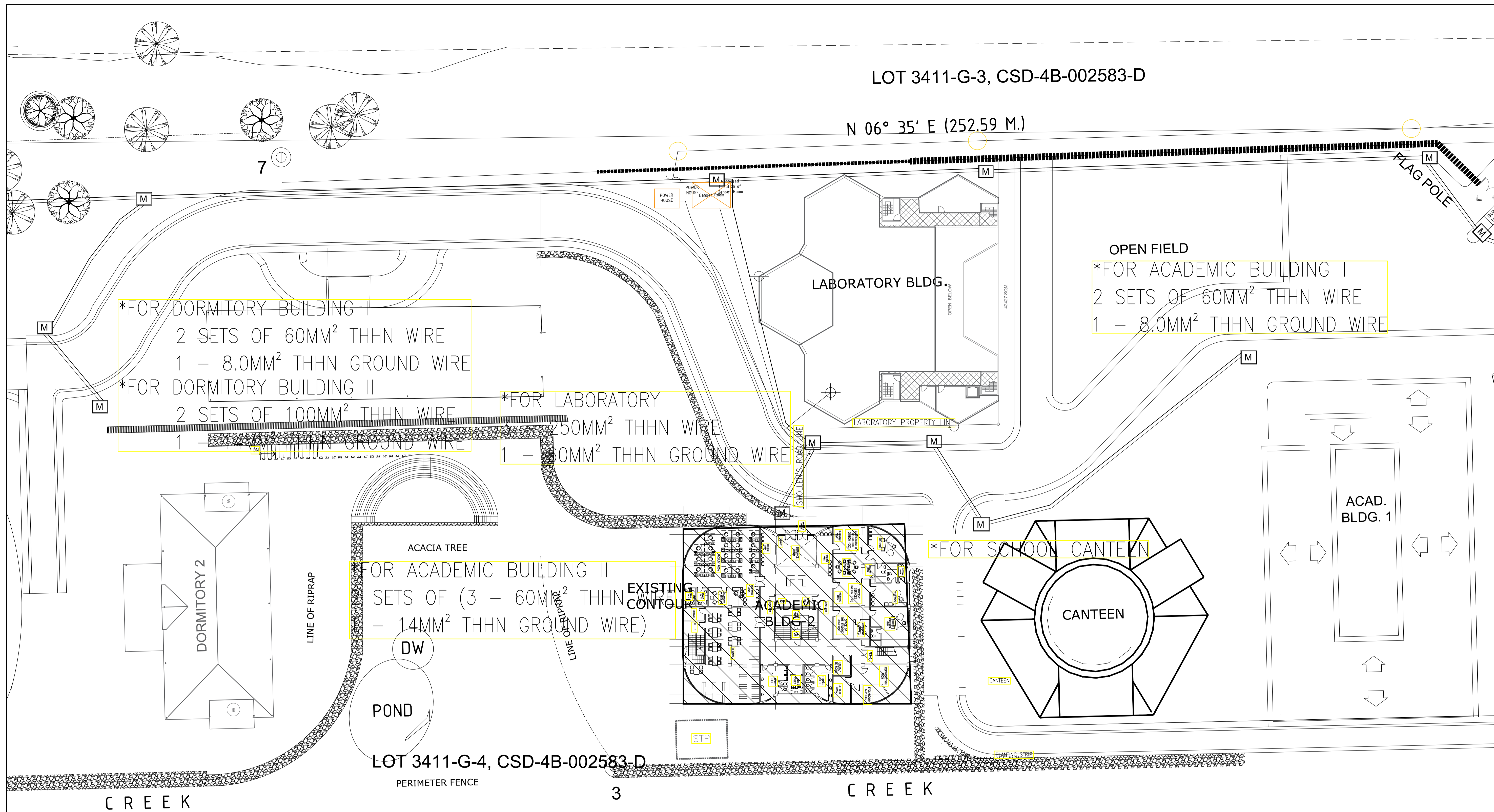


EXISTING DEVELOPMENT
1 ELECTRICAL SINGLE LINE DIAGRAM
 E-02 SCALE: NTS



ACADEMIC BUILDING II
2 ELECTRICAL SINGLE LINE DIAGRAM
 E-02 SCALE: NTS

| | | | | | | | | |
|---|---|---|--|---|--|---|---|--------------------------------------|
| ENRIQUE O. OLANON & ASSOCIATES ARCHITECTS ENGINEERS CONSULTANTS SUITE 305 XAVIERVILLE SQUARE CONDOMINIUM NO. 38 XAVIERVILLE AVENUE, LORON HEIGHTS, QUEZON CITY, 1108 TEL NOS: 426 7009; 426 3004-04 FAX NOS: 927 0608; 426 7214 IN JOINT VENTURE WITH ENRIQUE O. OLANON & ASSOCIATES, CO. ARCHITECTS ENGINEERS CONSULTANTS | DESIGNER: MANUEL V. PANIS PROFESSIONAL ELECTRICAL ENGINEER PRC No. 1210 Validity: 10/13/2023 PTR No. 7731829 Date: 01/04/2021 Place: ANTIPOLO CITY TIN: 132-466-222 | REPUBLIC ACT 9266 DRAWINGS AND SPECIFICATIONS AND OTHER CONTRACT DOCUMENTS DULY SIGNED, STAMPED OR SEALED, AS INSTRUMENTS OF SERVICE, ARE THE INTELLECTUAL PROPERTY AND DOCUMENT OF THE ARCHITECT. WHETHER THE OBJECT FOR WHICH THEY ARE MADE IS EXECUTED OR NOT, IT SHALL BE UNLAWFUL FOR ANY PERSON TO DUPLICATE OR TO MAKE COPIES OF SAID DOCUMENTS FOR USE IN THE REPEITION OF AND FOR OTHER PROJECTS OR BUILDINGS, WHETHER EXECUTED PARTY OR IN WHOLE, WITHOUT THE WRITTEN CONSENT OF ARCHITECT OR AUTHOR OF SAID DOCUMENT. | PROJECT: PROPOSED ACADEMIC BUILDING II / MULTI-PURPOSE GYMNASIUM LOCATION: Brgy. Rizal, Odiangan, Romblon | DESIGNED FOR: REPUBLIC OF THE PHILIPPINES PHILIPPINE SCIENCE HIGH SCHOOL - MIMAROPA REGIONAL CAMPUS | RECOMMENDING APPROVAL: MERIAM F. FALLAR FAD CHIEF | APPROVED BY: EDWARD C. ALBARACIN CAMPUS DIRECTOR | SHEET CONTENTS: ELECTRICAL SINGLE LINE DIAGRAM | SHEET NO: E 2 17 |
|---|---|---|--|---|--|---|---|--------------------------------------|



1 ACAD. BUILDING II
ELECTRICAL SITE DEVELOPMENT LAYOUT
SCALE 1:300MTRS
E-03

ENRIQUE O. OLONAN & ASSOCIATES
ARCHITECTS ENGINEERS CONSULTANTS
IN JOINT VENTURE WITH
ENRIQUE O. OLONAN & ASSOCIATES, CO.
ARCHITECTS ENGINEERS CONSULTANTS

DESIGNER:
MANUEL V. PANIS
PROFESSIONAL ELECTRICAL ENGINEER
PRC No. 1210 Validity: 10/13/2023
PTR No. 7731829 Date: 01/04/2021
Place: ANTIPOLLO CITY TIN: 132-466-222

REPUBLIC ACT 9266
DRAWINGS AND SPECIFICATIONS AND OTHER CONTRACT DOCUMENTS DULY SIGNED, STAMPED OR SEALED, AS INSTRUMENTS OF SERVICE, ARE THE INTELLECTUAL PROPERTY AND DOCUMENT OF THE ARCHITECT. WHETHER THE OBJECT FOR WHICH THEY ARE MADE IS EXECUTED OR NOT, IT SHALL BE UNLAWFUL FOR ANY PERSON TO DUPLICATE OR TO MAKE COPIES OF SAID DOCUMENTS FOR USE IN THE REPRODUCTION OF AND FOR OTHER PROJECTS OR BUILDINGS, WHETHER EXECUTED PARTLY OR IN WHOLE, WITHOUT THE WRITTEN CONSENT OF ARCHITECT OR AUTHOR OF SAID DOCUMENT.

PROJECT:
**PROPOSED
ACAD. BUILDING II /
MULTI-PURPOSE GYMNASIUM**
LOCATION: Brgy. Rizal, Odiongan, Romblon

DESIGNED FOR:

REPUBLIC OF THE PHILIPPINES
PHILIPPINE SCIENCE HIGH SCHOOL -
MIMAROPA REGIONAL CAMPUS

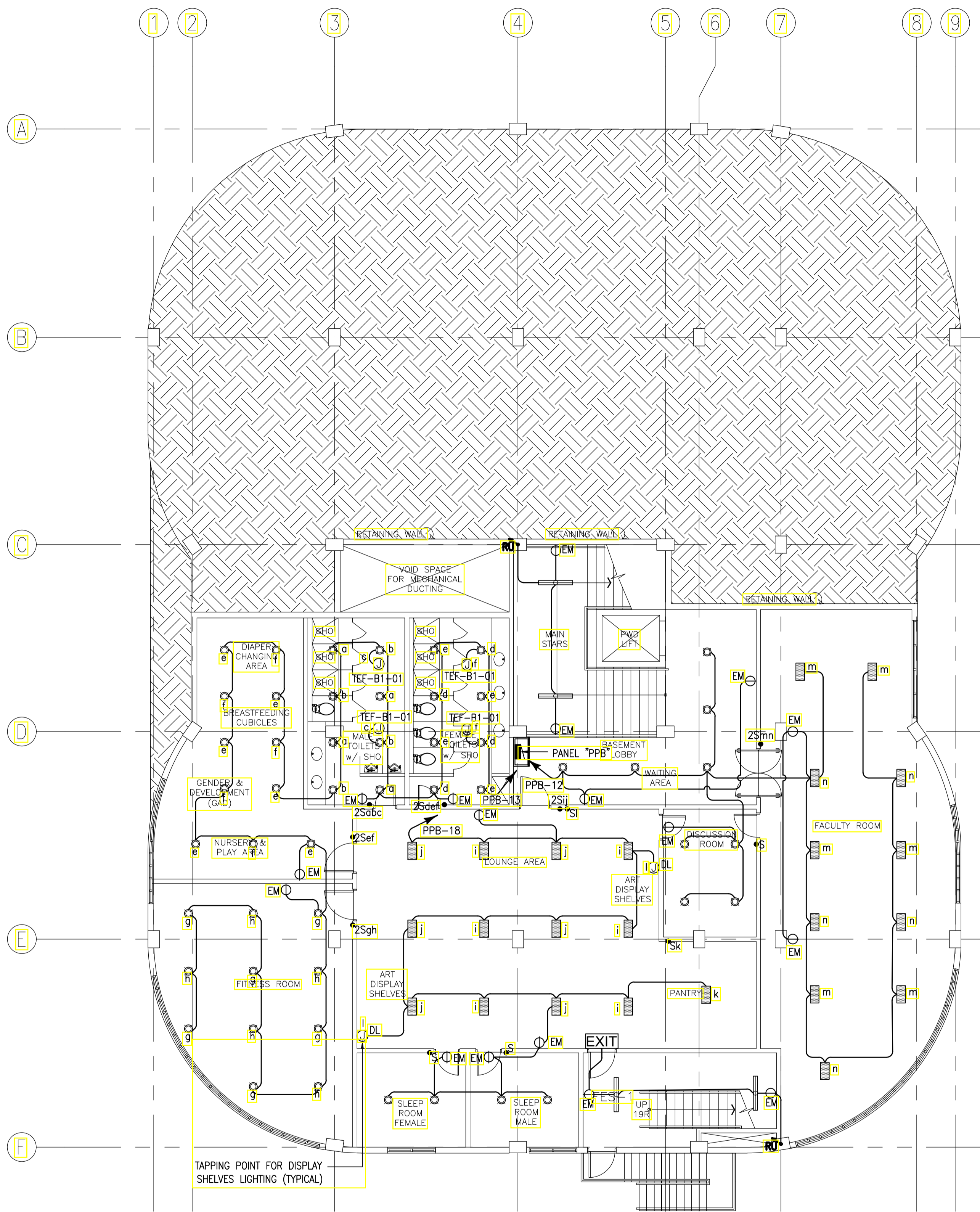
RECOMMENDING APPROVAL:
MERIAM F. FALLAR
FAD CHIEF

APPROVED BY:
EDWARD C. ALBARACIN
CAMPUS DIRECTOR

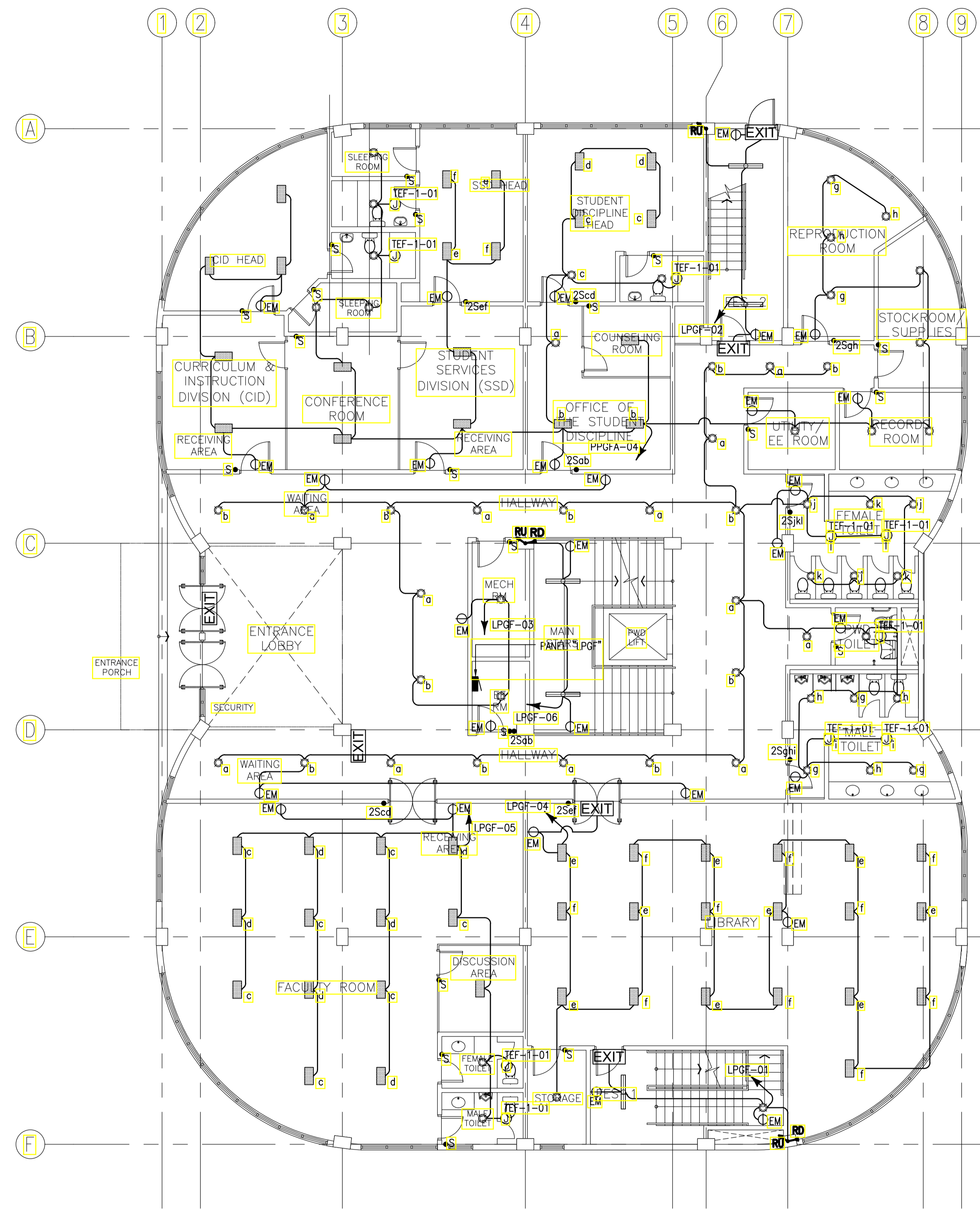
SHEET CONTENTS:
ELECTRICAL SITE DEVELOPMENT LAYOUT

SHEET NO:
E
3 17

GENERAL NOTES: PROVIDE EMBEDDED ELECTRICAL ROUGHING-INS IN BASEMENT AND GROUND FLOOR



1 ACADEMIC BUILDING II
BASEMENT FLOOR LIGHTING LAYOUT
 SCALE: 1:100MTRS
 E-04



2 ACADEMIC BUILDING II
GROUND FLOOR LIGHTING LAYOUT
 SCALE: 1:100MTRS
 E-04

ENRIQUE O. OLONAN & ASSOCIATES
 ARCHITECTS ENGINEERS CONSULTANTS
 SUITE 305 XAVIERVILLE SQUARE CONDOMINIUM NO. 38 XAVIERVILLE AVENUE, LAYOGI HEIGHTS, QUEZON CITY, 1108
 TEL. NOS.: 426 7009; 426 3040-41
 FAX NOS.: 927 0698; 426 7214

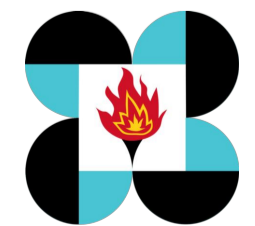
IN JOINT VENTURE WITH

ENRIQUE O. OLONAN & ASSOCIATES, CO.
 ARCHITECTS ENGINEERS CONSULTANTS

DESIGNER:
MANUEL V. PANIS
 PROFESSIONAL ELECTRICAL ENGINEER
 PRC No. 1210 Validity: 10/13/2023
 PTR No. 7731829 Date: 01/04/2021
 Place: ANTIPOLO CITY TIN: 132-466-222

REPUBLIC ACT 9266
 DRAWINGS AND SPECIFICATIONS AND OTHER CONTRACT DOCUMENTS DULY SIGNED, STAMPED OR SEALED, AS INSTRUMENTS OF SERVICE, ARE THE INTELLECTUAL PROPERTY AND DOCUMENT OF THE ARCHITECT. WHETHER THE OBJECT FOR WHICH THEY ARE MADE IS EXECUTED OR NOT, IT SHALL BE UNLAWFUL FOR ANY PERSON TO DUPLICATE OR TO MAKE COPIES OF SAID DOCUMENTS FOR USE IN THE REPRODUCTION OF AND FOR OTHER PROJECTS OR BUILDINGS, WHETHER EXECUTED PARTY OR IN WHOLE, WITHOUT THE WRITTEN CONSENT OF ARCHITECT OR AUTHOR OF SAID DOCUMENT.

PROJECT:
PROPOSED ACADEMIC BUILDING II / MULTI-PURPOSE GYMNASIUM
 LOCATION: Brgy. Rizal, Odiangan, Romblon

DESIGNED FOR:

 REPUBLIC OF THE PHILIPPINES
 PHILIPPINE SCIENCE HIGH SCHOOL - MIMAROPA REGIONAL CAMPUS

RECOMMENDING APPROVAL:
MERIAM F. FALLAR
 FAD CHIEF

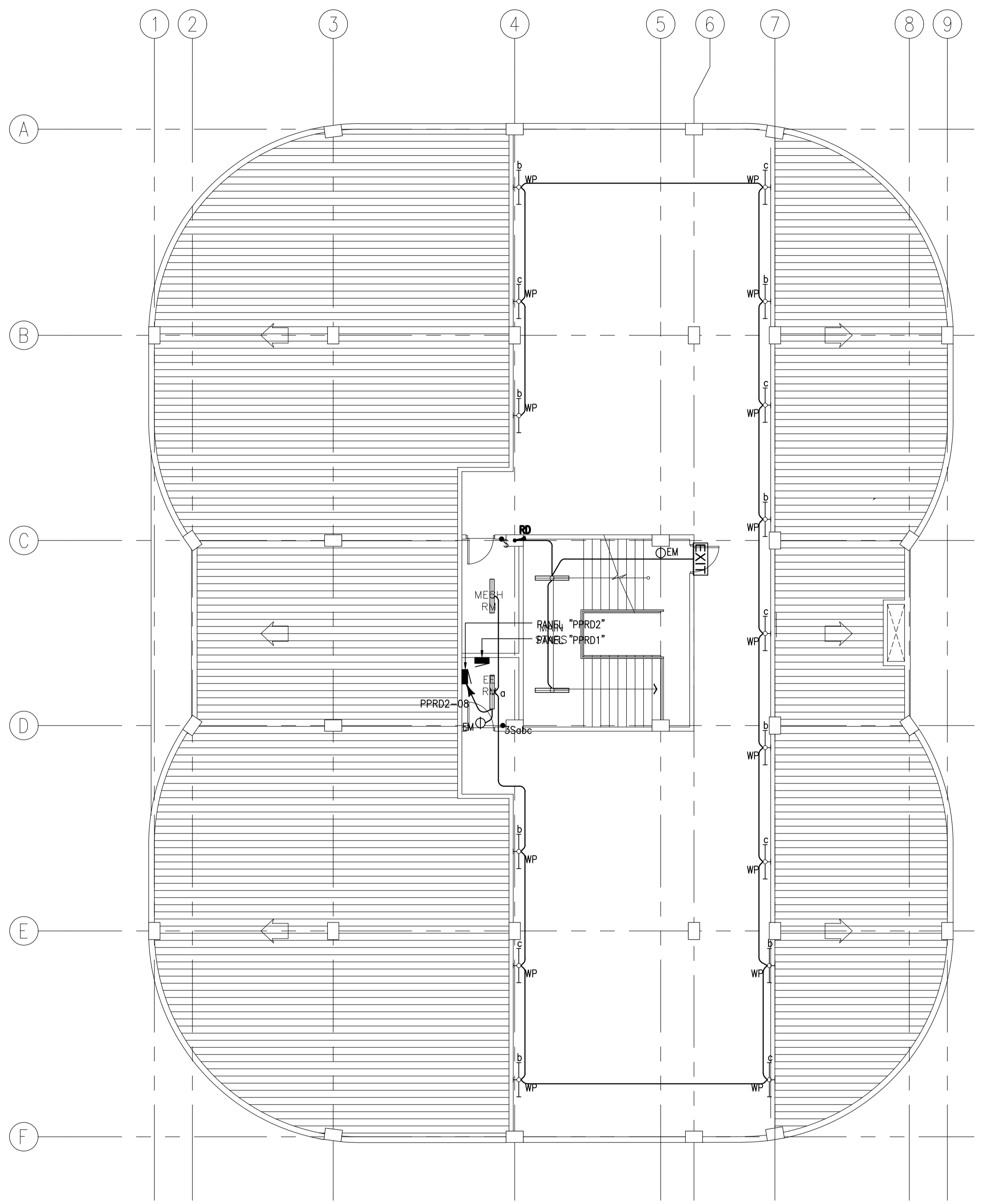
APPROVED BY:
EDWARD C. ALBARACIN
 CAMPUS DIRECTOR

SHEET CONTENTS:
 BASEMENT LIGHTING LAYOUT
 GROUND FLOOR LIGHTING LAYOUT

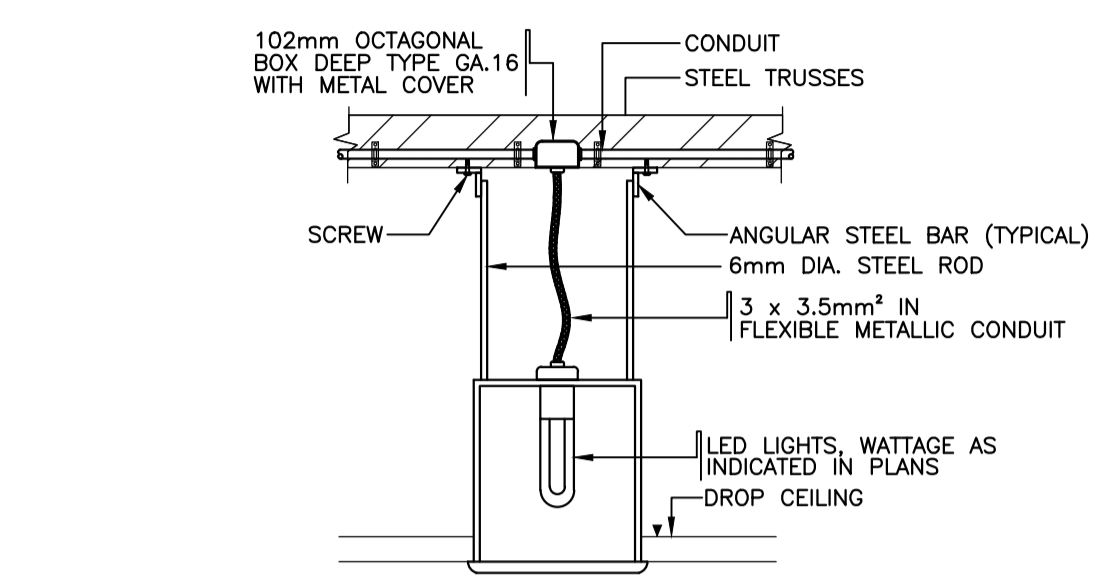
SHEET NO:
E
4 17

| LIGHTING LEGEND | | | |
|-----------------|---|--|---|
| | 9 WATTS, 2 PCS., FLUORESCENT LUMINAIRE LED LIGHT | | EXIT LIGHT COMPLETE WITH 2 HRS. BATTERY PACK |
| | 12 WATTS, LED ROUND DOWNLIGHT | | 1 GANG SINGLE POLE SINGLE THROW SWITCH, 15A, 230V, 60Hz |
| | 12 WATTS, LED SQUARE DOWNLIGHT | | 2 GANG SINGLE POLE SINGLE THROW SWITCH, 15A, 230V, 60Hz |
| | 9 WATTS, 2 PCS., FLUORESCENT LUMINAIRE LED LIGHT | | SINGLE RECEPTACLE, 15A, 240V, FOR EMERGENCY LIGHTS. |
| | 32 WATTS, 2 PCS., FLUORESCENT DUSTPROOF LUMINAIRE LED LIGHT | | RISER-UP / RISER DOWN |

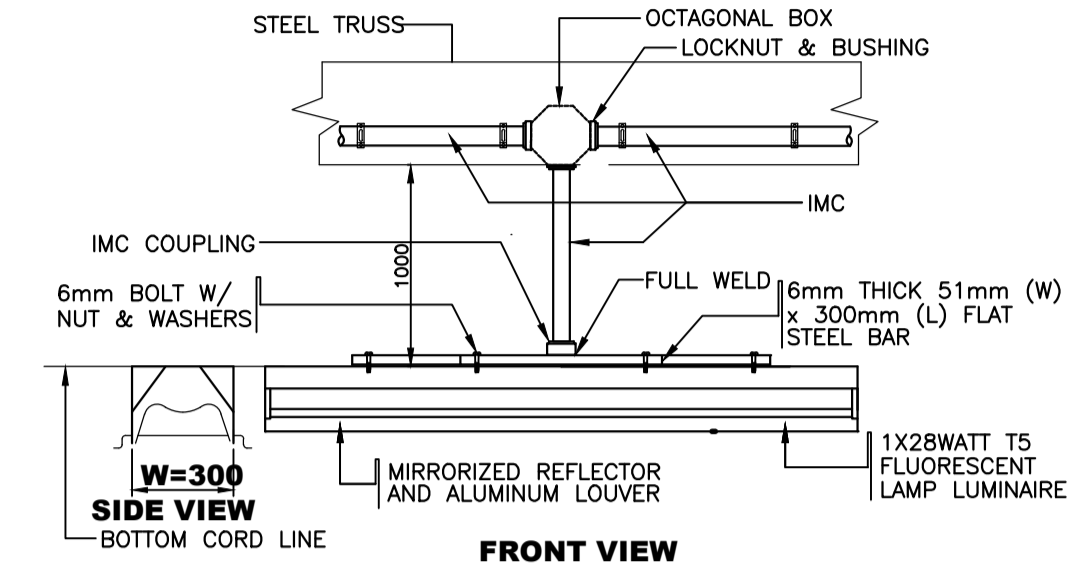
- NOTES:
- LIGHTED EXIT SIGNAGES TO BE TAP TO THE NEAREST LIGHTING CIRCUIT AHEAD OF SWITCH.
 - CONVENIENCE OUTLET FOR PORTABLE EMERGENCY LIGHTS TO BE TAP TO THE NEAREST LIGHTING CIRCUIT AHEAD OF SWITCH.
 - SEE SHEET E-07 FOR PORTABLE EMERGENCY LIGHTS MOUNTING DETAILS.
 - SEE SHEET E-07 FOR EXIT SIGNAGES MOUNTING DETAILS.
 - MOUNTING OF SWITCHES SHALL BE SUBJECT FOR ARCHITECT'S APPROVAL.
 - ELECTRICAL CONTRACTOR TO COORDINATE WITH OTHER ENGINEERING TRADE PRIOR TO INSTALLATION.



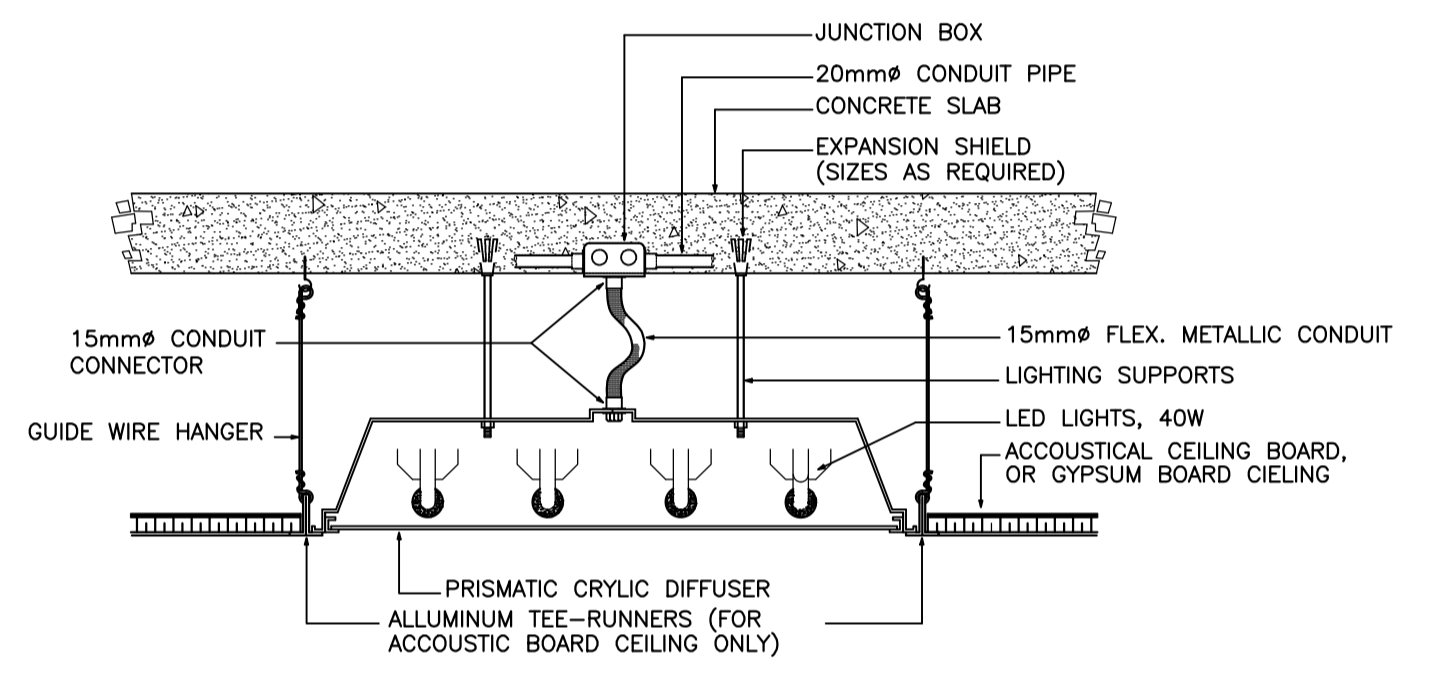
1
ACADEMIC BUILDING II
ROOF DECK LIGHTING LAYOUT
SCALE: 1:100MTRS



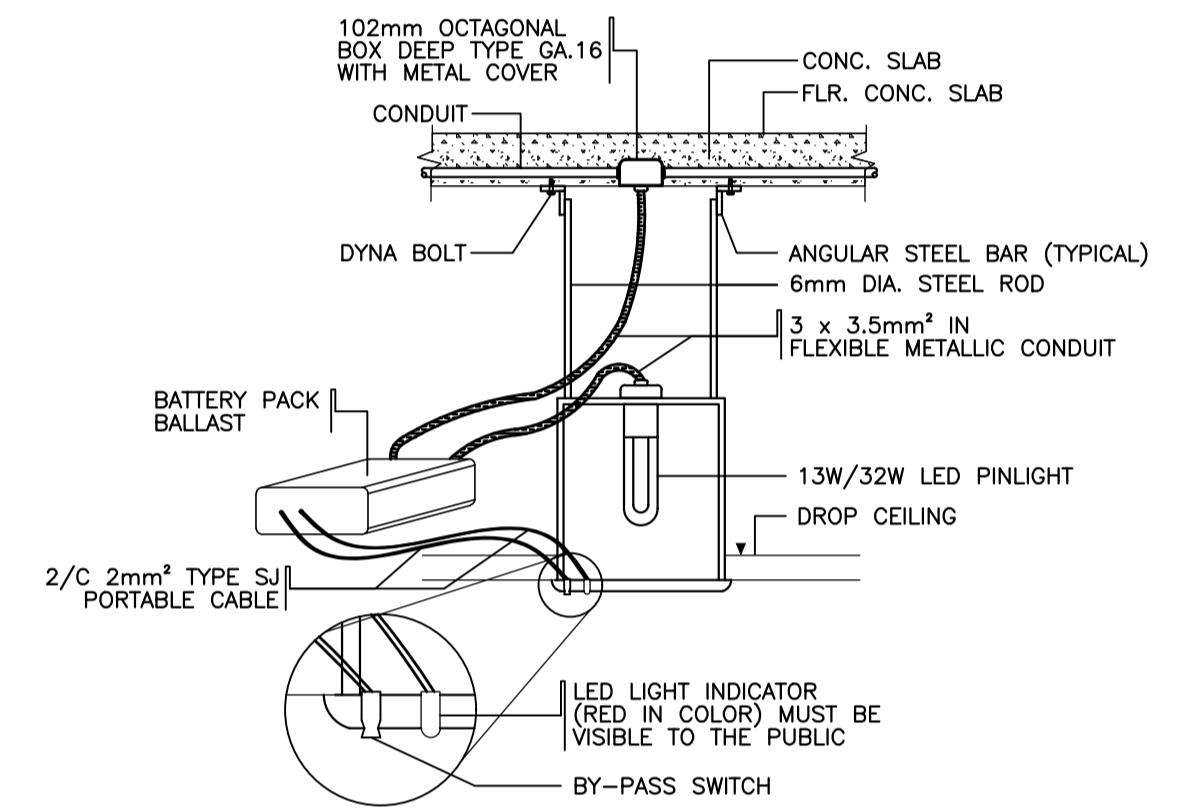
2A
RECESSED LED DOWNLIGHT LIGHTING LUMINAIRE MOUNTING DETAIL (TYPICAL)
SCALE: NTS



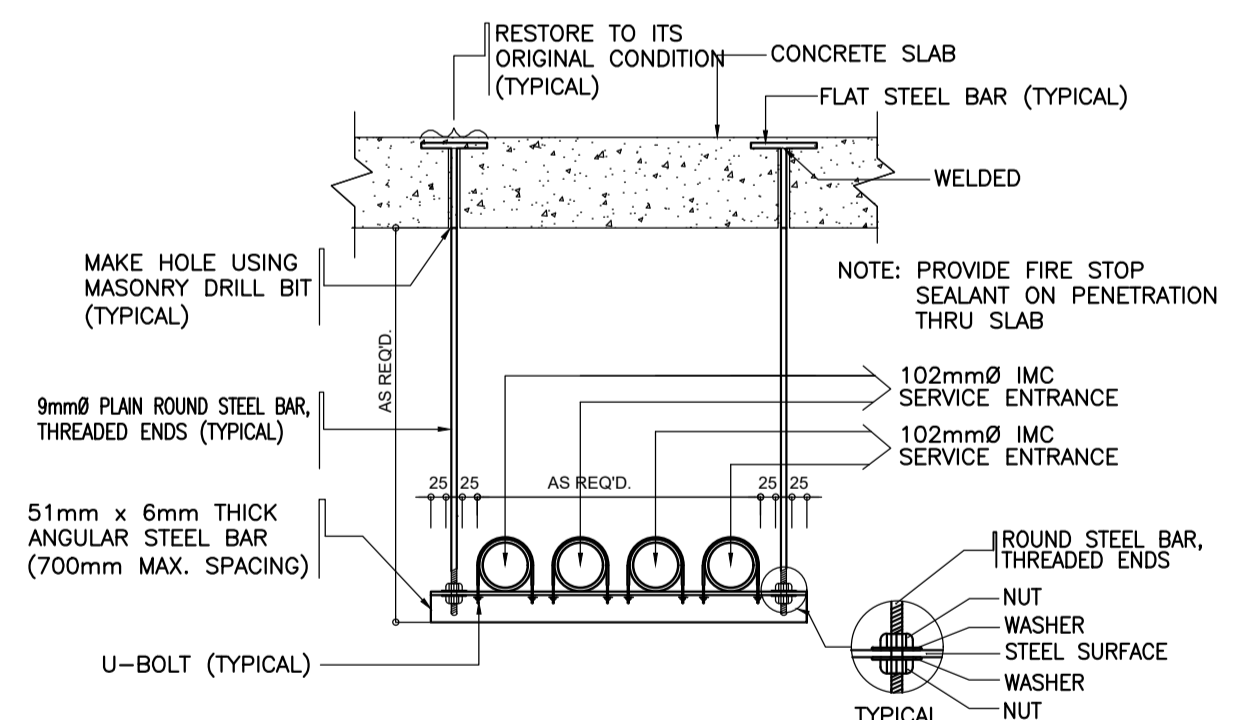
2B
SURFACE MTD. ON SLAB LED T8 LIGHTING LUMINAIRE MOUNTING DETAIL (TYPICAL)
SCALE: NTS



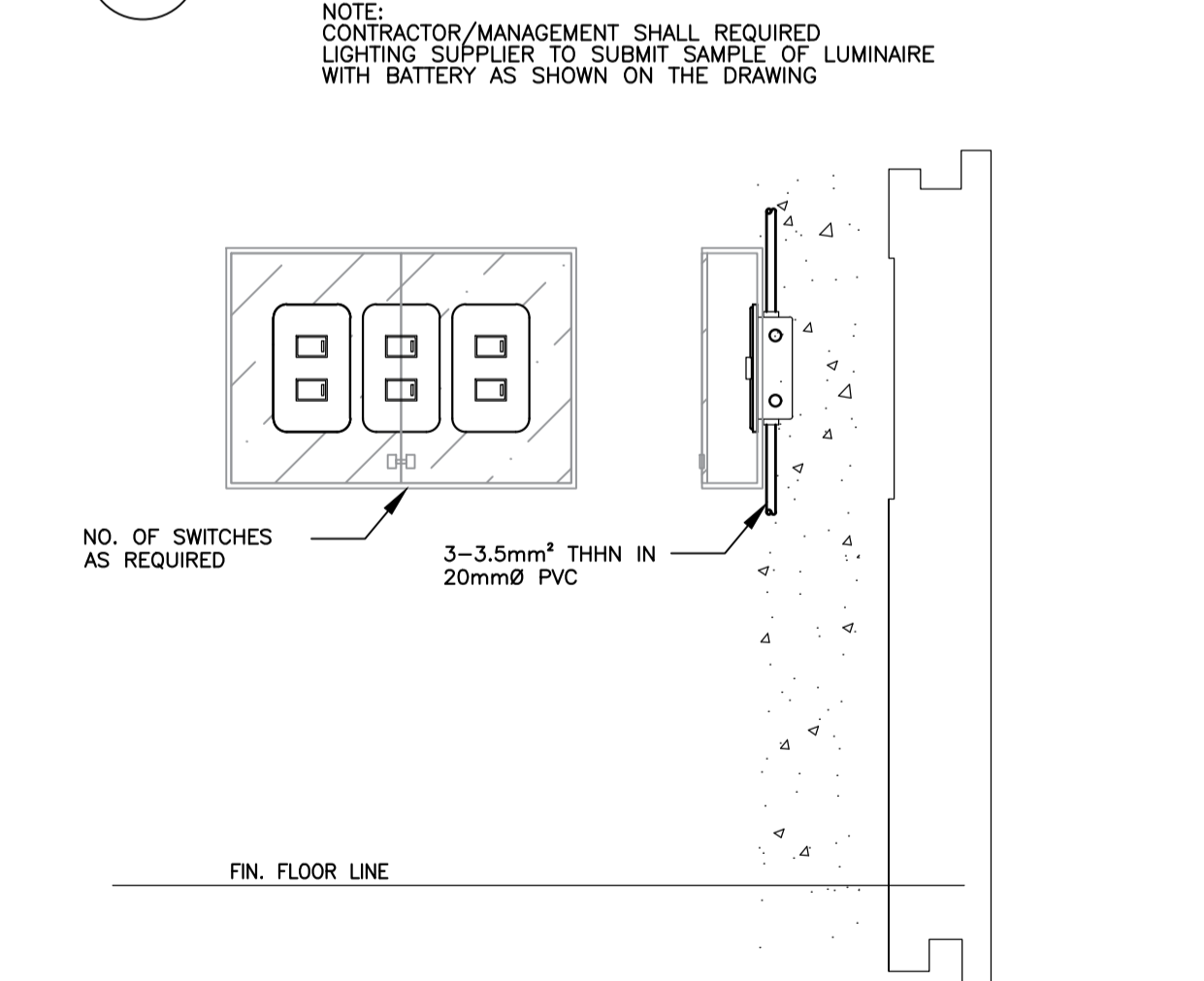
2C
RECESSED MTD. TROFFER TYPE LED PANEL LIGHTING WITH PRISMATIC DIFFUSER LUMINAIRE DETAIL (TYPICAL)
SCALE: NTS



2D
PINLIGHT LED LUMINAIRE WITH BATTERY PACKED BALLAST MTG. DETAIL (TYPICAL)
SCALE: NTS



2E
CONDUIT ROUTE DETAIL
SCALE: NTS



2F
LIGHTING SWITCH BANK INSTALLATION DETAIL
SCALE: NTS

NOTE: PROVIDE THIS ASSEMBLY 300mm FROM DEAD END AND CORNER, AND THEN 700mm MAX. SPACING ON STRAIGHT RUN. MIN. RADIUS OF WIREWAY BEND SHALL BE EQUAL TO ITS RESPECTIVE WIDTH.

2
ACADEMIC BUILDING II
TYPICAL LIGHTING INSTALLATION DETAIL
SCALE: NTS

ENRIQUE O. OLONAN & ASSOCIATES
ARCHITECTS ENGINEERS CONSULTANTS

SUITE 305
XAVIERVILLE SQUARE
CONDOMINIUM
NO. 38 XAVIERVILLE
AVENUE, LOYOLA HEIGHTS,
QUEZON CITY, 1108
TEL NOS: 426 7009;
426 3004-44
FAX NOS: 927 0608;
426 7214

IN JOINT VENTURE WITH
ENRIQUE O. OLONAN & ASSOCIATES, CO.
ARCHITECTS ENGINEERS CONSULTANTS

DESIGNER:
MANUEL V. PANIS
PROFESSIONAL ELECTRICAL ENGINEER

PRC No. 1210 Validity: 10/13/2023
PTR No. 7731829 Date: 01/04/2021
Place: ANTIPOLO CITY TIN: 132-466-222

REPUBLIC ACT 9266
DRAWINGS AND SPECIFICATIONS AND OTHER CONTRACT DOCUMENTS DULY SIGNED, STAMPED OR SEALED, AS INSTRUMENTS OF SERVICE, ARE THE INTELLECTUAL PROPERTY AND DOCUMENT OF THE ARCHITECT. WHETHER THE OBJECT FOR WHICH THEY ARE MADE IS EXECUTED OR NOT, IT SHALL BE UNLAWFUL FOR ANY PERSON TO DUPLICATE OR TO MAKE COPIES OF SAID DOCUMENTS FOR USE IN THE REPRODUCTION OF AND FOR OTHER PROJECTS OR BUILDINGS, WHETHER EXECUTED PARTY OR IN WHOLE, WITHOUT THE WRITTEN CONSENT OF ARCHITECT OR AUTHOR OF SAID DOCUMENT.

PROJECT:
**PROPOSED
ACADEMIC BUILDING II /
MULTI-PURPOSE GYMNASIUM**

LOCATION: Brgy. Rizal, Odiangan, Romblon

DESIGNED FOR:

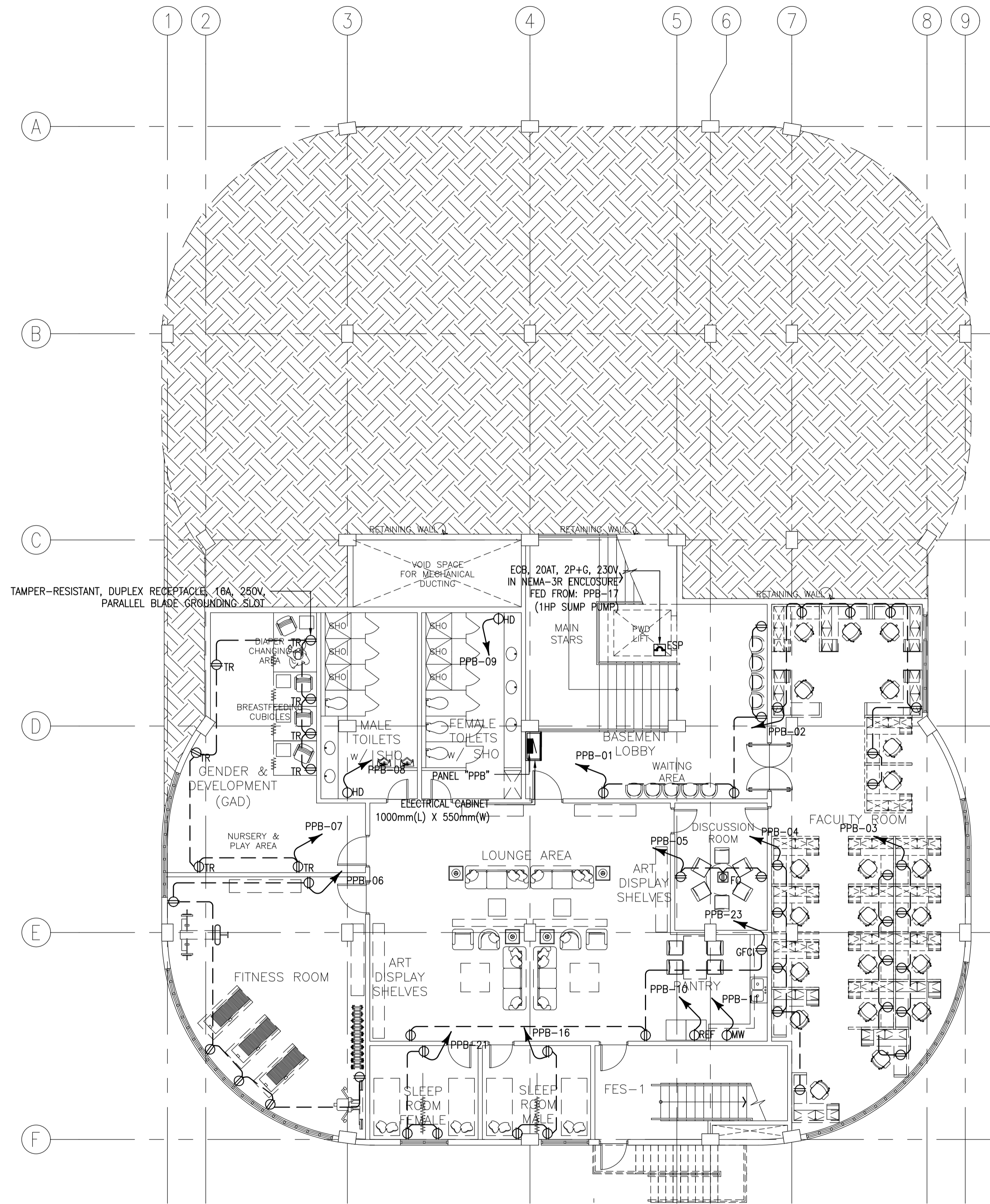
REPUBLIC OF THE PHILIPPINES
PHILIPPINE SCIENCE HIGH SCHOOL -
MIMAROPA REGIONAL CAMPUS

RECOMMENDING APPROVAL:
MERIAM F. FALLAR
FAD CHIEF

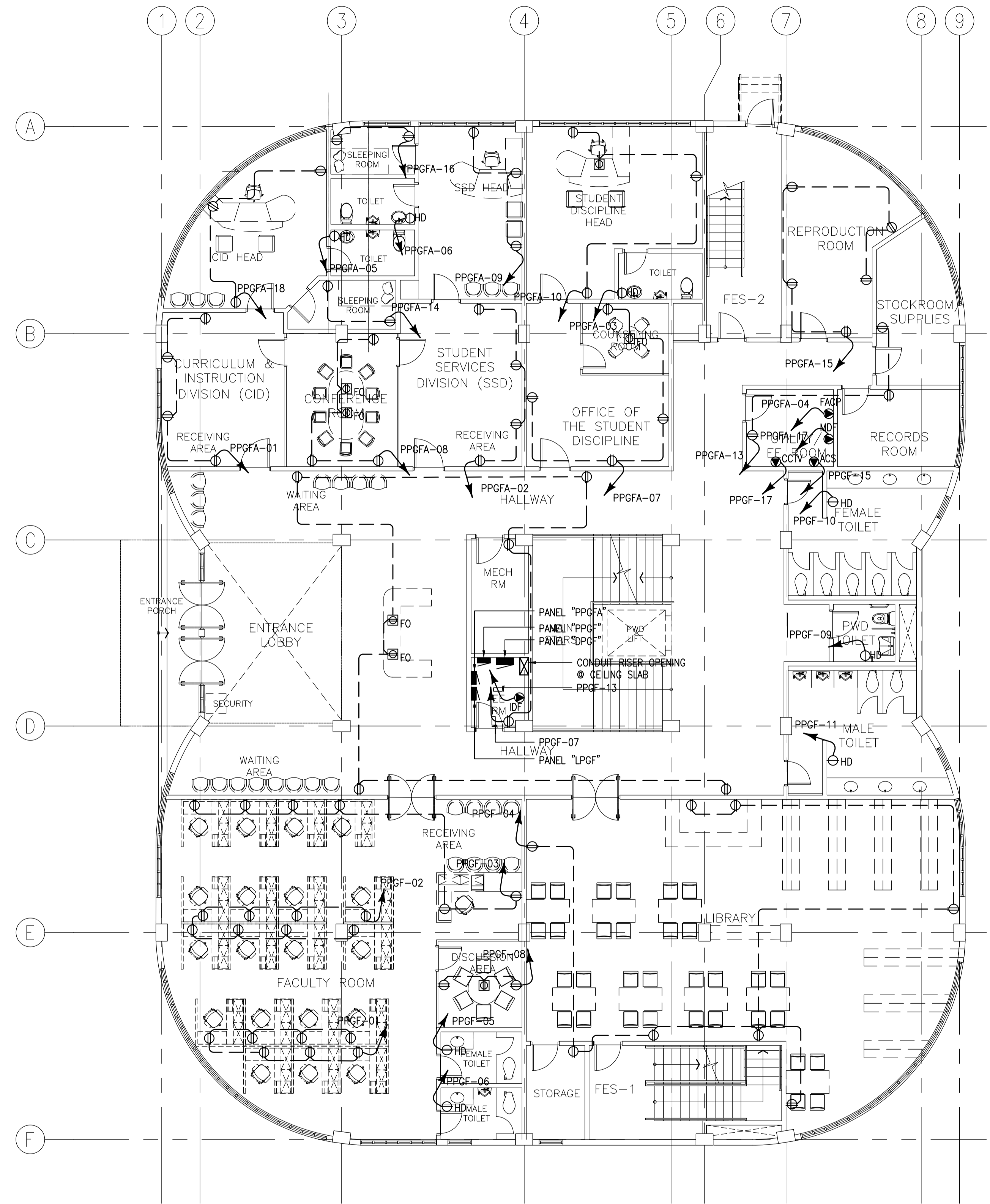
APPROVED BY:
EDWARD C. ALBARACIN
CAMPUS DIRECTOR

SHEET CONTENTS:
ROOF DECK LIGHTING LAYOUT
TYPICAL LIGHTING INSTALLATION DETAILS

SHEET NO:
**E
6 17**



1 ACADEMIC BUILDING II
BASEMENT POWER LAYOUT
 SCALE: E-07 1:100MTRS



2 ACADEMIC BUILDING II
GROUND FLOOR POWER LAYOUT
 SCALE: E-07 1:100MTRS

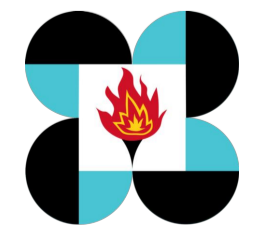
ENRIQUE O. OLONAN & ASSOCIATES
 ARCHITECTS ENGINEERS CONSULTANTS
 IN JOINT VENTURE WITH
ENRIQUE O. OLONAN & ASSOCIATES, CO.
 ARCHITECTS ENGINEERS CONSULTANTS

SUITE 305
 XAVIERVILLE SQUARE
 CONDOMINIUM
 NO. 38 XAVIERVILLE
 AVENUE, LAYOG, HEHINGTON,
 QUEZON CITY, 1108
 TEL NOS: 426 7009;
 426 3004-04
 FAX NOS: 927 0608;
 426 7214

DESIGNER:
MANUEL V. PANIS
 PROFESSIONAL ELECTRICAL ENGINEER
 PRC No. 1210 Validity: 10/13/2023
 PTR No. 7731829 Date: 01/04/2021
 Place: ANTIPOLO CITY TIN: 132-466-222

REPUBLIC ACT 9266
 DRAWINGS AND SPECIFICATIONS AND OTHER CONTRACT DOCUMENTS DULY SIGNED, STAMPED OR SEALED, AS INSTRUMENTS OF SERVICE, ARE THE INTELLECTUAL PROPERTY AND DOCUMENT OF THE ARCHITECT. WHETHER THE OBJECT FOR WHICH THEY ARE MADE IS EXECUTED OR NOT, IT SHALL BE UNLAWFUL FOR ANY PERSON TO DUPLICATE OR TO MAKE COPIES OF SAID DOCUMENTS FOR USE IN THE REPRODUCTION OF AND FOR OTHER PROJECTS OR BUILDINGS, WHETHER EXECUTED PARTLY OR IN WHOLE, WITHOUT THE WRITTEN CONSENT OF ARCHITECT OR AUTHOR OF SAID DOCUMENT.

PROJECT:
**PROPOSED
 ACADEMIC BUILDING II /
 MULTI-PURPOSE GYMNASIUM**
 LOCATION: Brgy. Rizal, Odiongan, Romblon

DESIGNED FOR:

 REPUBLIC OF THE PHILIPPINES
 PHILIPPINE SCIENCE HIGH SCHOOL -
 MIMAROPA REGIONAL CAMPUS

RECOMMENDING APPROVAL:
MERIAM F. FALLAR
 FAD CHIEF

APPROVED BY:
EDWARD C. ALBARACIN
 CAMPUS DIRECTOR

SHEET CONTENTS:
 BASEMENT POWER LAYOUT
 GROUND FLOOR POWER LAYOUT

SHEET NO:
E
7 17